



AG ISO

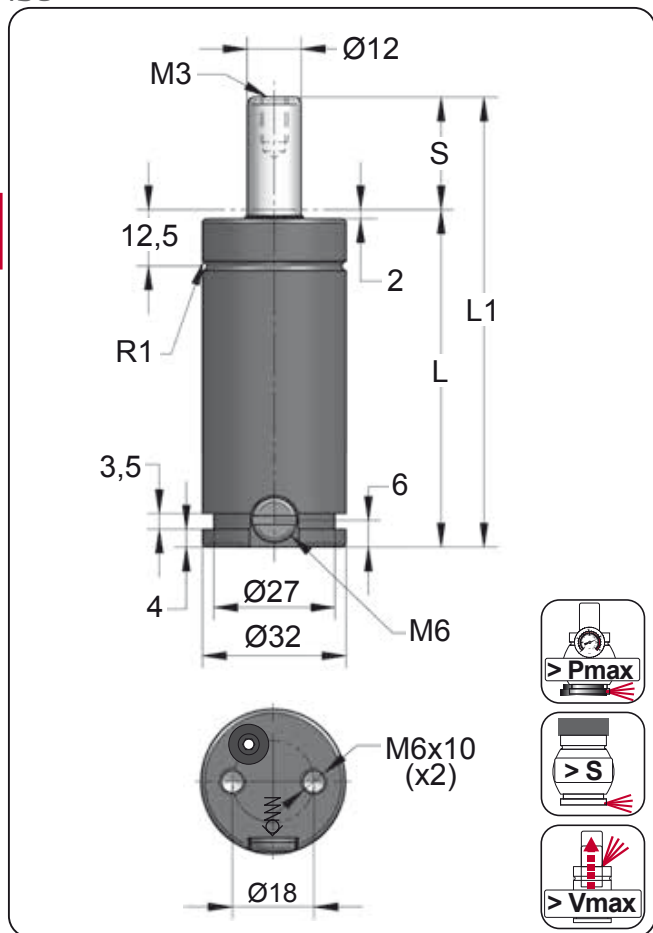
MODEL	F_0 	\varnothing 	S 	L1 	Pmax 	Charge Port 		
AG 150	150	Ø32	10 - 125	70 - 300	180	M6	✓	✓
AG 250	250	Ø38	10 - 125	70 - 300	150	M6	✓	✓
AG 500	500	Ø45	10 - 160	105 - 405	150	G1/8"	✓	✓
AG 750	750	Ø50	13 - 300	121 - 695	150	G1/8"	✓	✓
AG 1500	1500	Ø75	13 - 300	136 - 710	150	G1/8"	✓	✓
AG 3000	3000	Ø95	25 - 300	170 - 720	150	G1/8"	✓	✓
AG 5000	5000	Ø120	25 - 300	190 - 740	150	G1/8"	✓	✓
AG 7500	7500	Ø150	25 - 300	205 - 755	150	G1/8"	✓	✓
AG 10000	10000	Ø195	25 - 300	210 - 760	150	G1/8"	✓	✓

		50		50	50	50	50	50
		Ø50		Ø50	Ø50	Ø50	Ø50	Ø50
		L1=138		L1=150	L1=170	L1=195	L1=165	L1=220
		L1=152		L1=150	L1=185		L1=175	
		L1=152		L1=150	L1=195			
		1000		1000	750	750	1700	1800
		1000		1000	1000		2000	
		1000		750	1000			
MODEL	X	CW 1000 KZ 1000 KT 1000	X	CT 1000 CK 1000 FD 750	GN 750 CM 1000 CD 1000	AG 750	CPH 1700 CP 2000	CS 1800
SERIES	MINI 	COMPACT HEIGHT 	THREADED 	LOW PROFILE 	HEAVY DUTY 	ISO 	HEAVY LOAD 	POWER COMPACT STROKE

AG 150

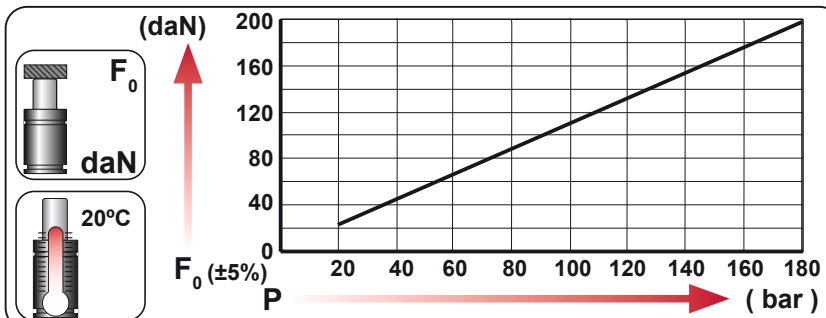
ISO

BMW B2 4006		PSA E24.54.815.G
MB B8 3180 220 000 001	GM 90.25.00	RENAULT EM24.54.700
VW 39D 878		

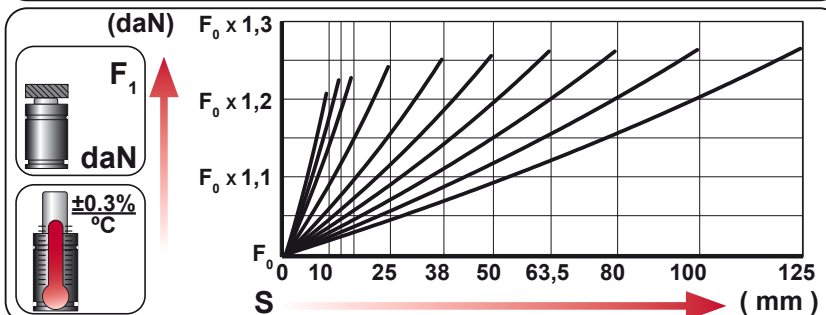


ORDER	S (mm)	L1 ±0.25 (mm)	L (mm)	Kg.
AG ... 010	10	70	60	0.27
AG ... 012	12.7	75.4	62.7	0.28
AG ... 016	16	82	66	0.29
AG ... 025	25	100	75	0.32
AG ... 038	38	126	88	0.36
AG ... 050	50	150	100	0.39
AG ... 063	63.5	177	113.5	0.44
AG ... 080	80	210	130	0.49
AG ... 100	100	250	150	0.55
AG ... 125	125	300	175	0.62

ORDER	COLOR	bar	psi	F ₀ daN	F ₁ daN
AG 50 050	Green	45	650	50	65
AG 100 050	Blue	90	1305	100	125
AG 150 050	Red	135	1960	150	190
AG 200 050	Yellow	180	2610	200	250
AG XXX 050	Black	20-180	290-2610	23 - 200	30 - 250

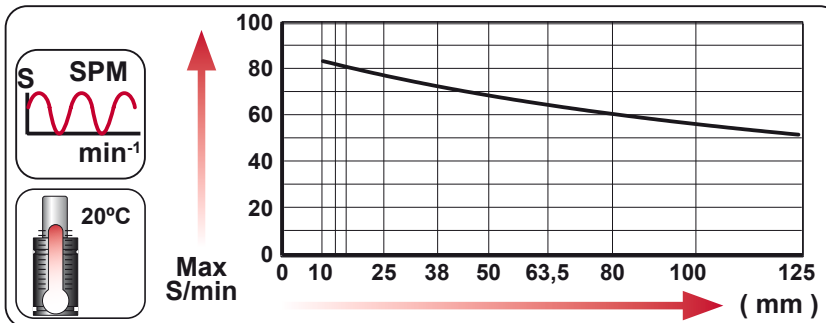


CODE	Pressure Gauge	bar	psi	F ₀ daN	F ₁ daN
AG 150 050		135	1960	150	188
AG-H 150 050		0	0	---	---



EQUIPPED WITH VDI - SAFETY

Language	Order Code	F ₀ daN	S mm
ENG	ORDER		
DEU	BESTELLUNG		
FRA	COMMANDE		
ITA	ORDINE		
ESP	PEDIDO		
POR	PEDIDO		
AG 150 050		150	50



N ₂	Smax < 90%	Vmax 1,6 m/s	bar psi 20 290 180 2610	°C °F 0 32 80 176	600 CP-



AG 150 MOUNTS

150

A14-032

ISO E24.54.815.G
EM24.54.700/F

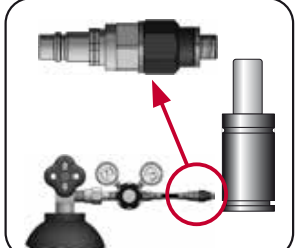
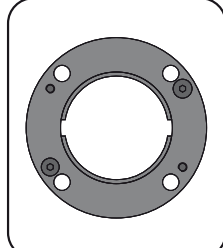
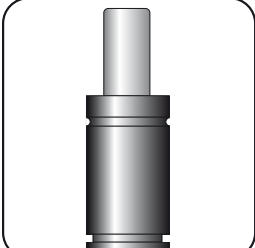
A34-032

VDI

C20-032

ISO VDI E24.54.815.G
EM24.54.700/F

D02-032

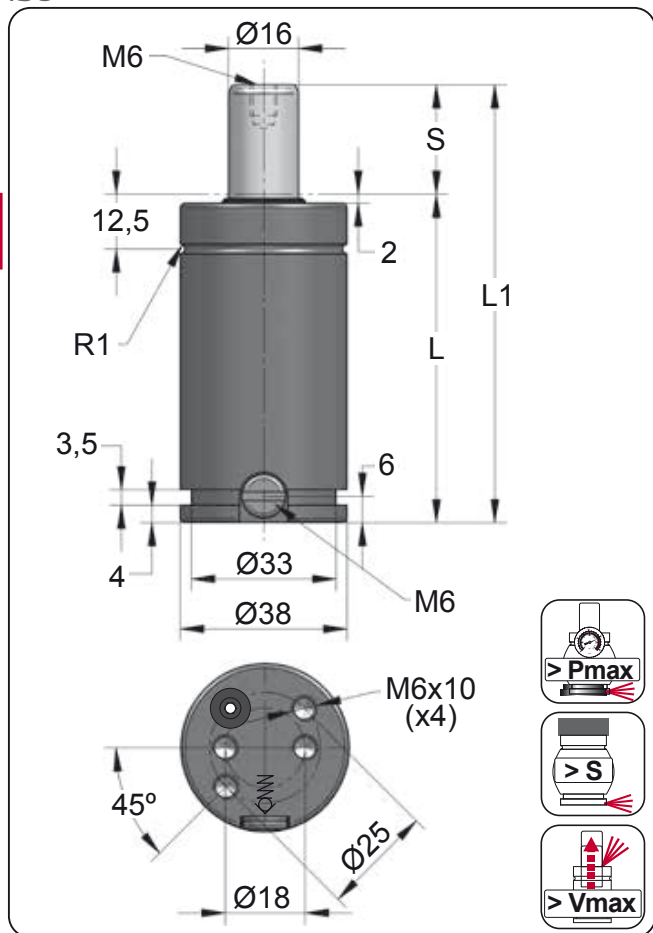


CODE	AG 150 050	KIT S-XXXXXXX KIT C-XXXXXXX	A14-032	06 CG 2-Q
ENG	ORDER	GAS SPRING	REPAIR KIT	CHARGING ADAPTER
DEU	BESTELLUNG	GASDRUCKFEDER	ERSATZTEILSATZ	LADEADAPTER
FRA	COMMANDE	RESSORT À GAZ	KIT DE RÉPARATION	RACCORD DE CHARGE
ITA	ORDINE	CILINDRO AD AZOTO	KIT DI MANUTENZIONE	ADATTATORE DI CARICO
ESP	PEDIDO	RESORTE DE GAS	KIT DE REPARACION	ADAPTADOR DE CARGA
POR	PEDIDO	CILINDRO DE GÁS	KIT DE MANUTENÇÃO	ADAPTADOR DE CARGA

AG 250

ISO

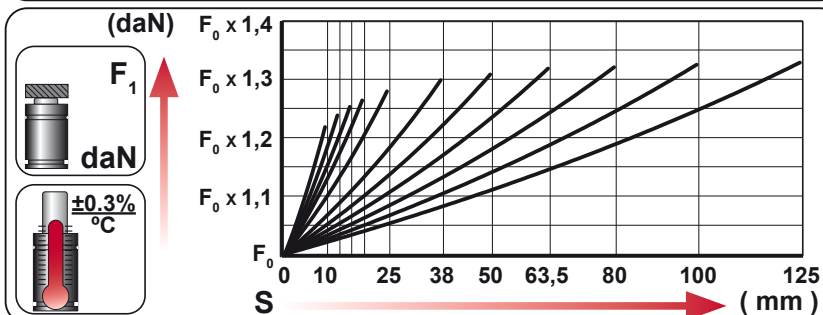
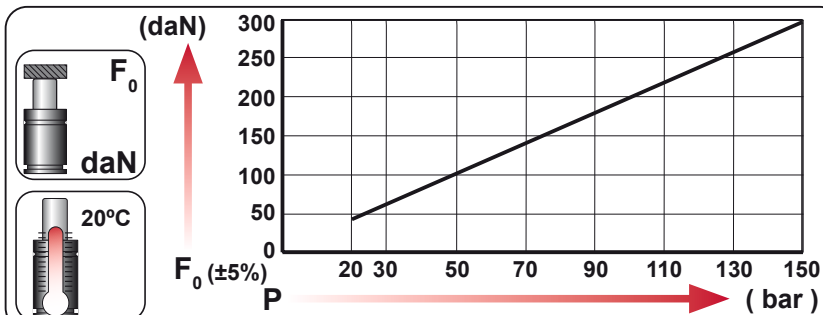
BMW B2 4006	FORD W-DX35-6203	PSA E24.54.815.G
	GM 90.25.00	RENAULT EM24.54.700
VW 39D 878		NISSAN K32S0



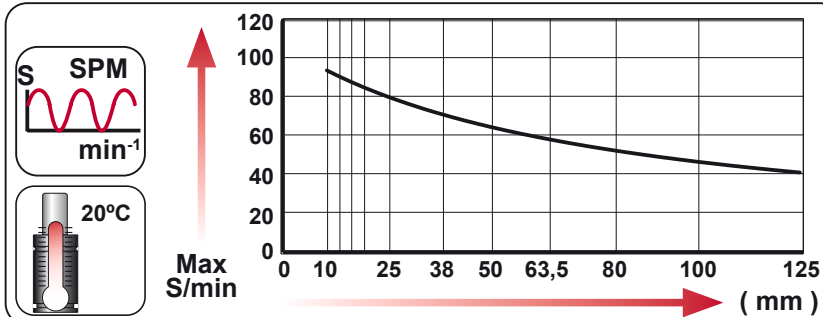
ORDER	S (mm)	L1 ±0.25 (mm)	L (mm)	Kg.
AG 250 010	10	70	60	0.39
AG 250 013	13	76	63	0.40
AG 250 016	16	82	66	0.41
AG 250 019	19	88	69	0.43
AG 250 025	25	100	75	0.45
AG 250 038	38	126	88	0.51
AG 250 050	50	150	100	0.56
AG 250 063	63.5	177	113.5	0.62
AG 250 080	80	210	130	0.69
AG 250 100	100	250	150	0.77
AG 250 125	125	300	175	0.88



CODE	Image	Pressure		Force	
		bar	psi	daN	daN
AG 250 050		125	1810	250	325
AG-H 250 050		0	0	---	---



EQUIPPED WITH VDI - SAFETY



Language	Order	Force (daN)	Stroke (mm)
ENG	ORDER	F ₀	S
DEU	BESTELLUNG	250	50
FRA	COMMANDE		
ITA	ORDINE		
ESP	PEDIDO		
POR	PEDIDO		

			bar psi 20 290	bar psi 150 2175	°C °F 0 32	°C °F 80 176	600 CP-
--	--	--	-------------------	---------------------	---------------	-----------------	---------



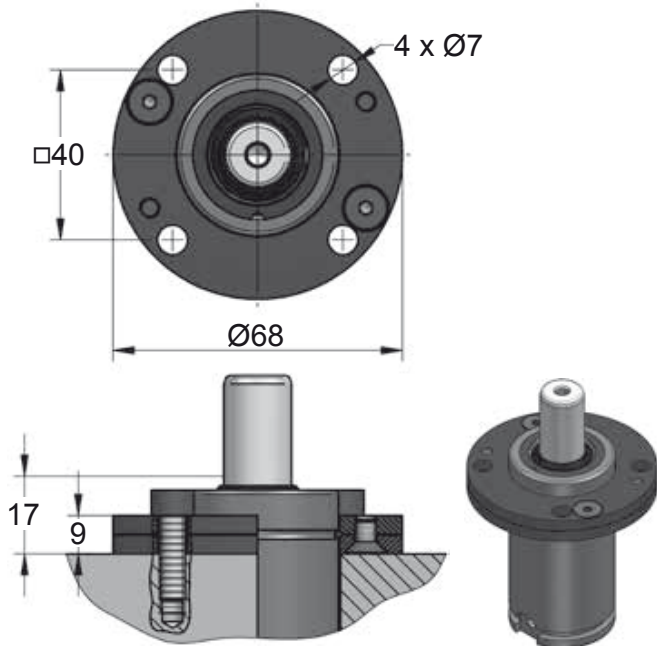
AG 250 MOUNTS

ISO

		Ø38	Ø38	Ø38	Ø38	Ø38	Ø38	
		L1=130 L1=140	L1=150	L1=132 L1=137 L1=150	L1=150 L1=155	L1=155 L1=160	L1=230	
MODEL	X	CW 500 KZ 500	AS 300	CT 500 CK 500 FD 300	CD 500 CM 500	AG 250	CPH 850 CP 1000	CS 1000
SERIES	MINI	COMPACT HEIGHT	THREADED	LOW PROFILE	HEAVY DUTY	ISO	HEAVY LOAD	POWER COMPACT STROKE

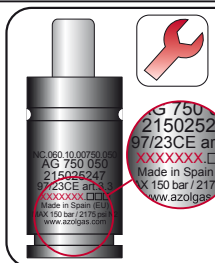
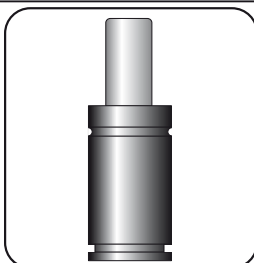
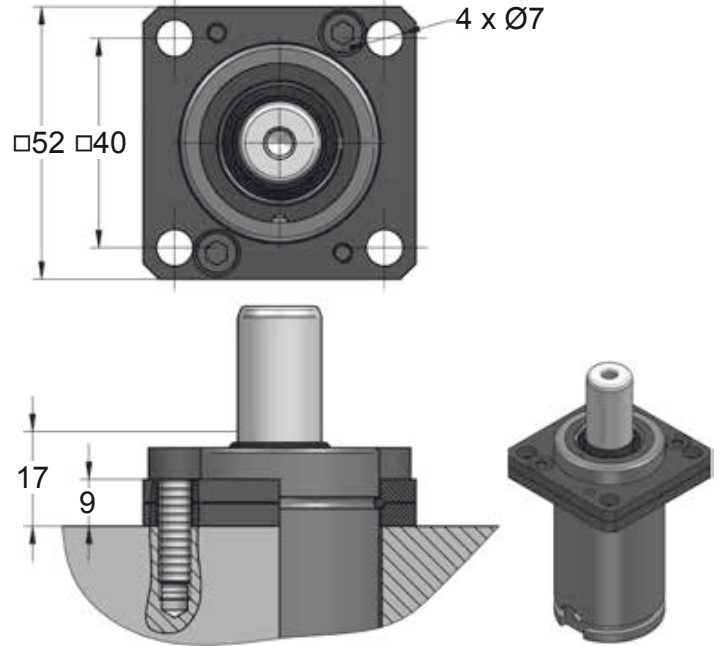
A14-038

ISO NAMRE 28 CNOB E24.54.815.G EM24.54.700/F



A34-038

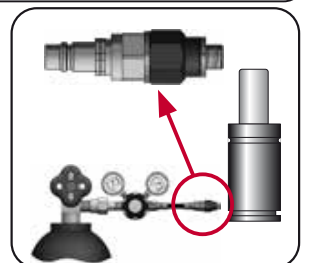
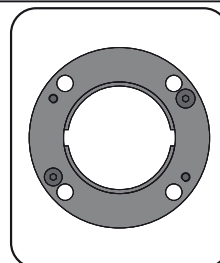
ISO VDI



SEAL KIT S-XXXXXXX



CARTRIDGE KIT C-XXXXXXX



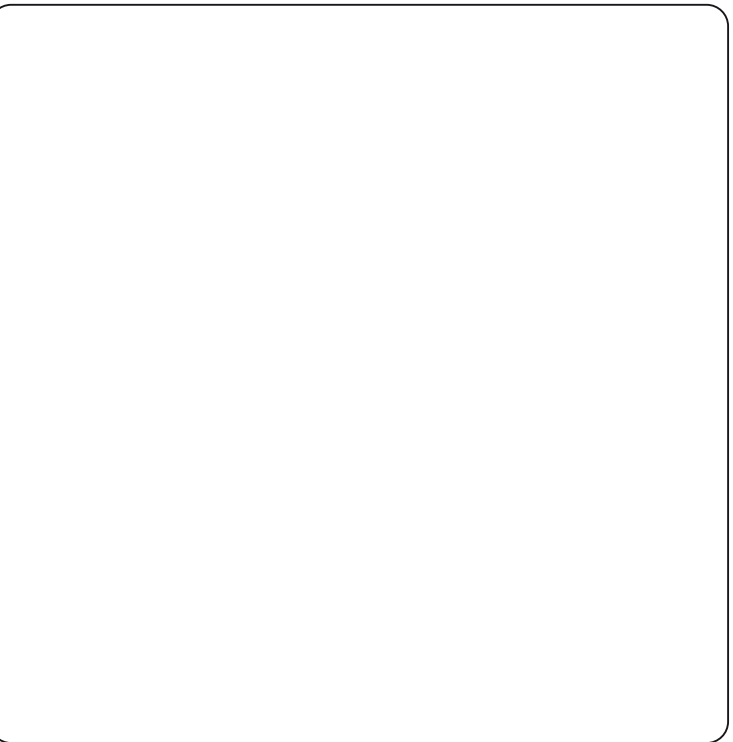
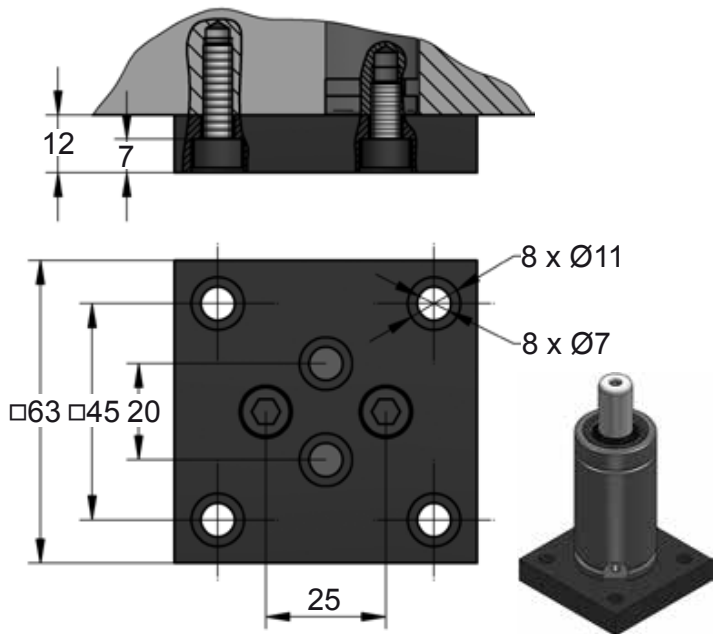
CODE	AG 250 050	KIT S-XXXXXXX KIT C-XXXXXXX	A14-038	06 CG 2-Q
ENG ORDER	GAS SPRING	REPAIR KIT	FLANGE	CHARGING ADAPTER
DEU BESTELLUNG	GASDRUCKFEDER	ERSATZTEILSATZ	FLANSCH	LADEADAPTER
FRA COMMANDE	RESSORT À GAZ	KIT DE RÉPARATION	BRIDE	RACCORD DE CHARGE
ITA ORDINE	CILINDRO AD AZOTO	KIT DI MANUTENZIONE	FLANGE	ADATTATORE DI CARICO
ESP PEDIDO	RESORTE DE GAS	KIT DE REPARACION	BRIDA	ADAPTADOR DE CARGA
POR PEDIDO	CILINDRO DE GÁS	KIT DE MANUTENÇÃO	FLANGE	ADAPTADOR DE CARGA

AG 250 MOUNTS

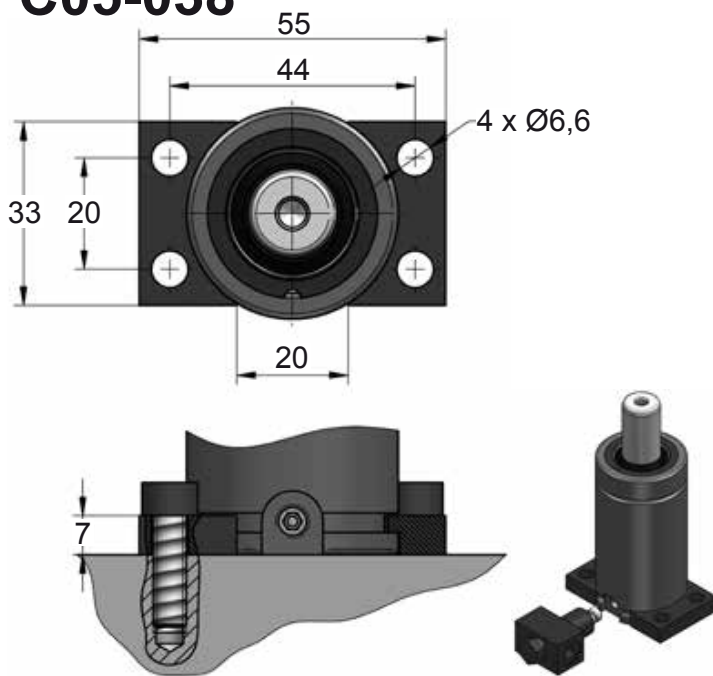
150



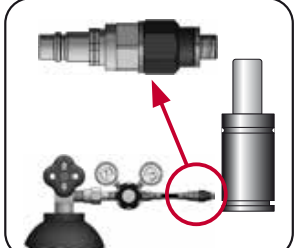
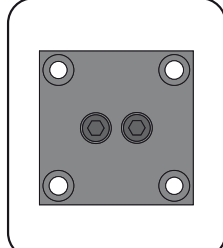
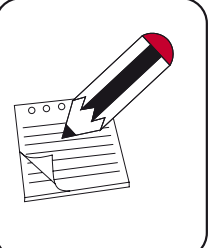
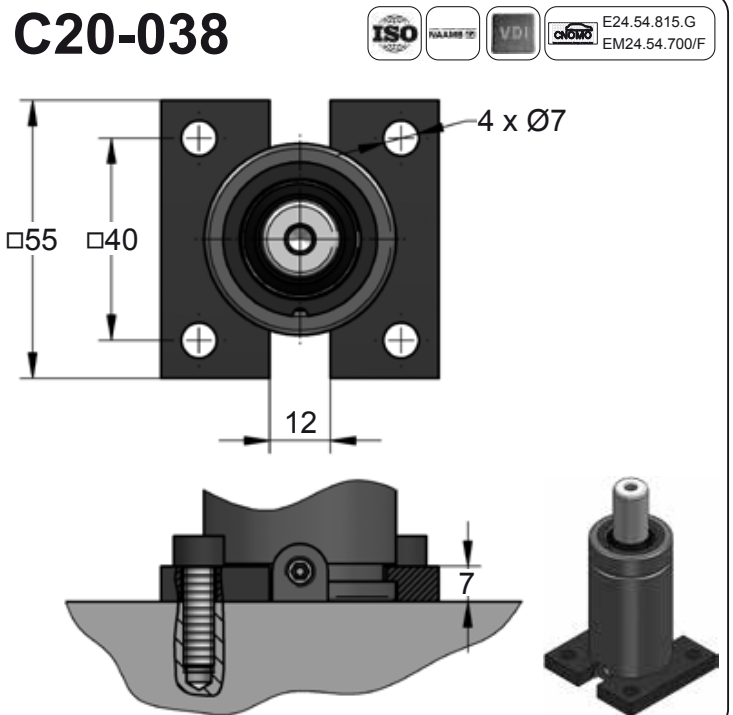
B76-038



C05-038



C20-038



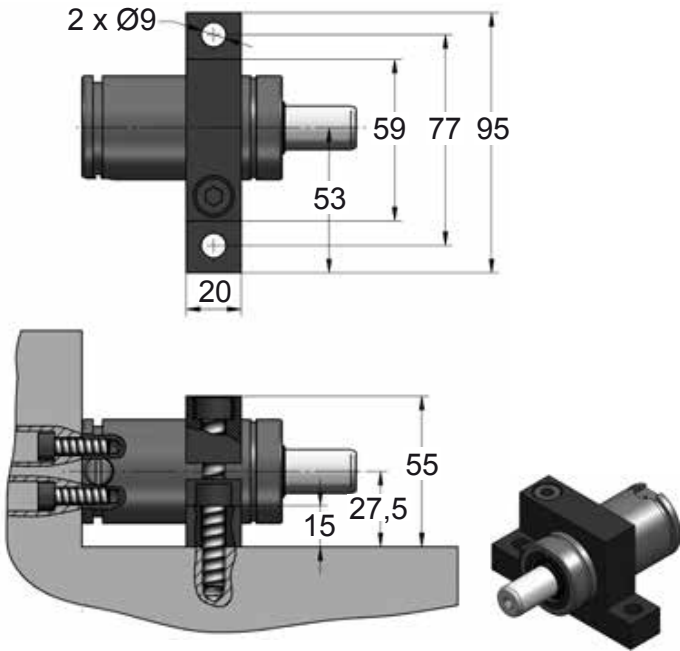
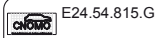
CODE	AG 250 050	KIT S-XXXXXXX KIT C-XXXXXXX	B76-038	06 CG 2-Q
ENG	ORDER	GAS SPRING	REPAIR KIT	CHARGING ADAPTER
DEU	BESTELLUNG	GASDRUCKFEDER	ERSATZTEILSATZ	LADEADAPTER
FRA	COMMANDE	RESSORT À GAZ	KIT DE RÉPARATION	RACCORD DE CHARGE
ITA	ORDINE	CILINDRO AD AZOTO	KIT DI MANUTENZIONE	ADATTATORE DI CARICO
ESP	PEDIDO	RESORTE DE GAS	KIT DE REPARACION	ADAPTADOR DE CARGA
POR	PEDIDO	CILINDRO DE GÁS	KIT DE MANUTENÇÃO	ADAPTADOR DE CARGA



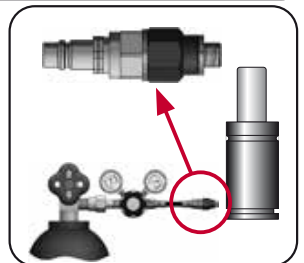
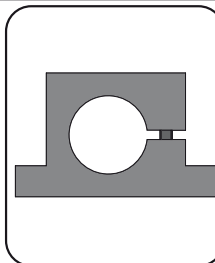
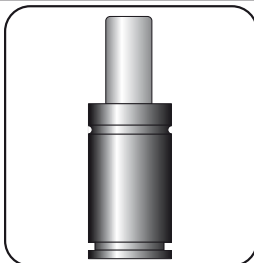
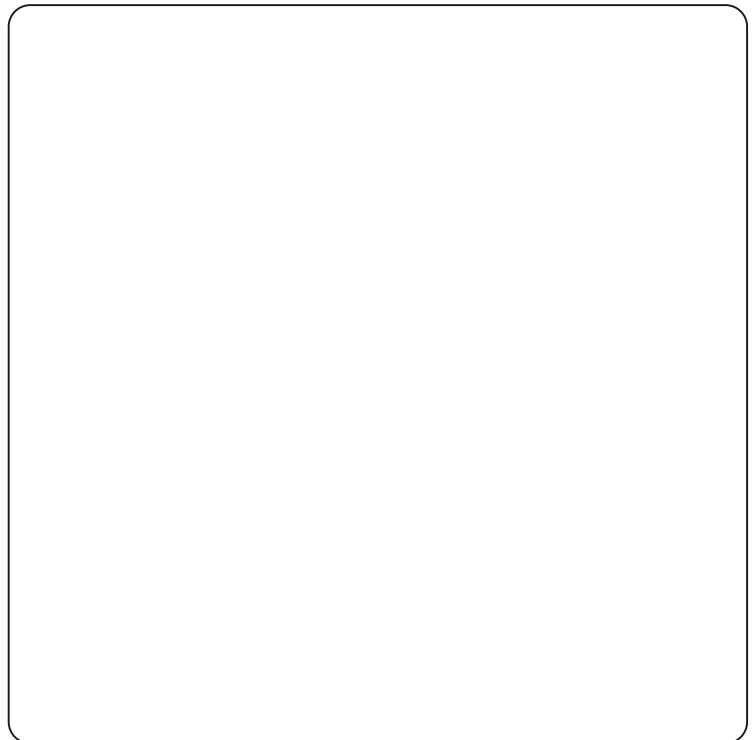
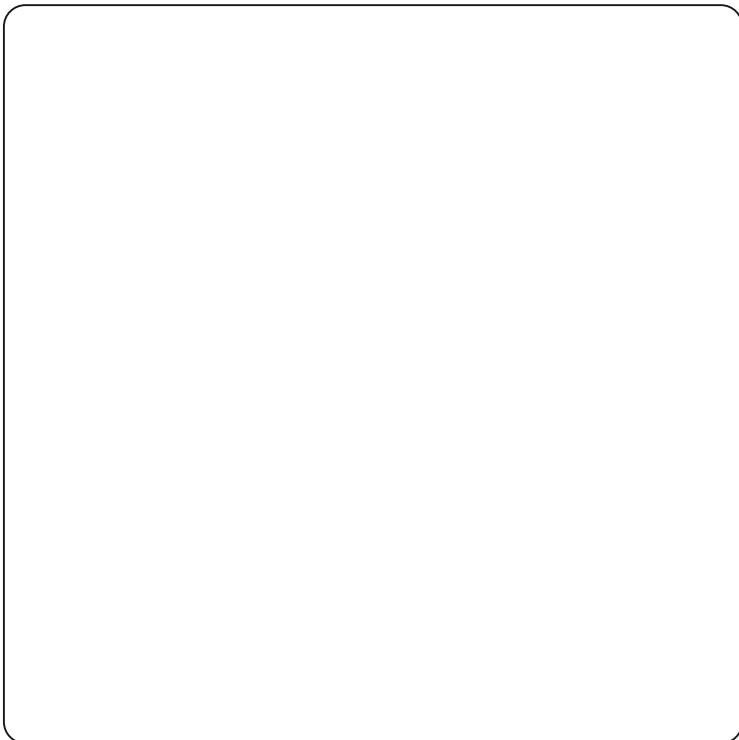
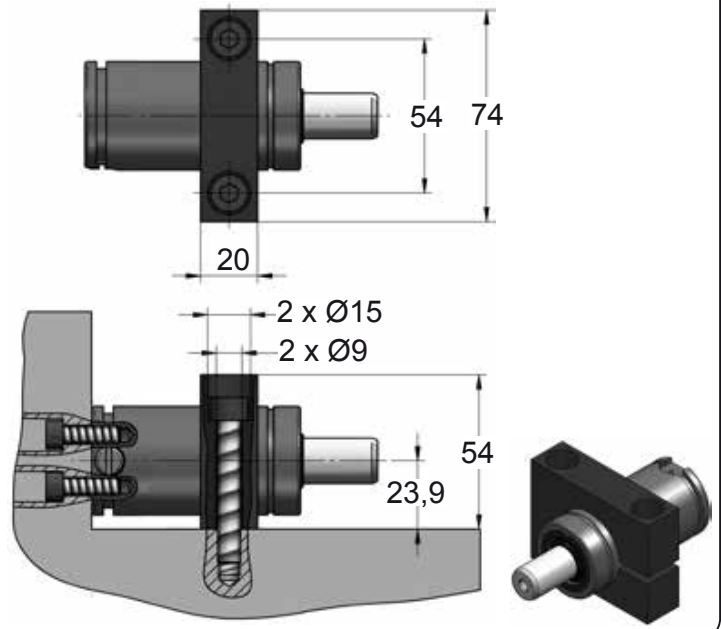
AG 250 MOUNTS

ISO

D02-038



D67-038

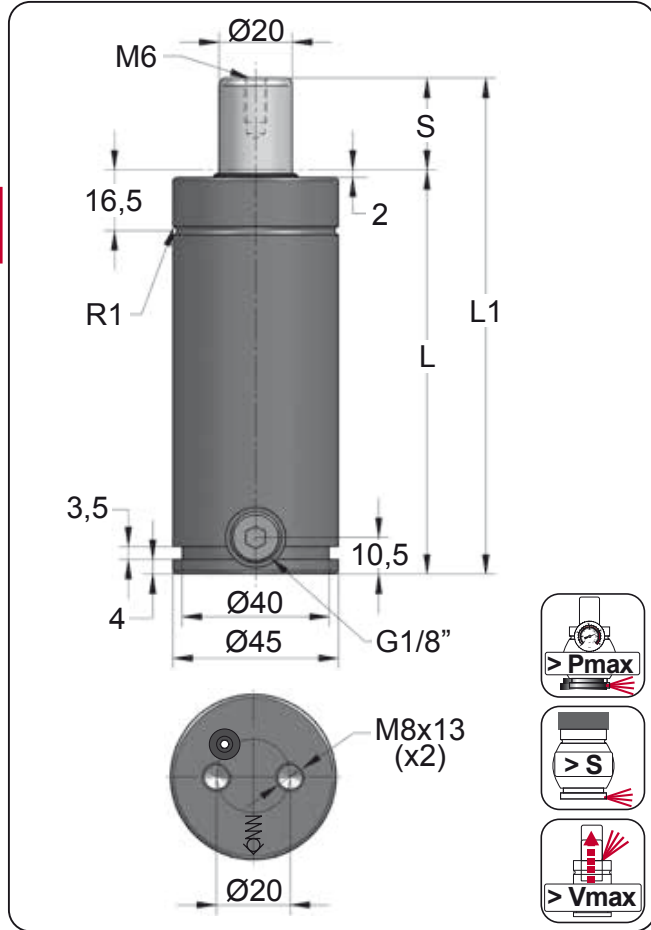


CODE	AG 250 050	KIT S-XXXXXXX KIT C-XXXXXXX	D02-038	06 CG 2-Q
ENG	ORDER	GAS SPRING	REPAIR KIT	CHARGING ADAPTER
DEU	BESTELLUNG	GASDRUCKFEDER	ERSATZTEILSATZ	LADEADAPTER
FRA	COMMANDE	RESSORT À GAZ	KIT DE RÉPARATION	RACCORD DE CHARGE
ITA	ORDINE	CILINDRO AD AZOTO	KIT DI MANUTENZIONE	ADATTATORE DI CARICO
ESP	PEDIDO	RESORTE DE GAS	KIT DE REPARACION	ADAPTADOR DE CARGA
POR	PEDIDO	CILINDRO DE GÁS	KIT DE MANUTENÇÃO	ADAPTADOR DE CARGA

AG 500

ISO

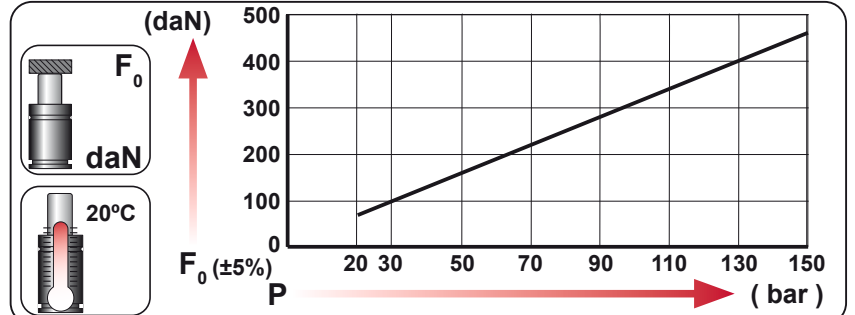
BMW B2 4006		PSA E24.54.815.G
MB B8 3180 220 000 001	GM 90.25.00	RENAULT EM24.54.700
VW 39D 878		NISSAN K32S0



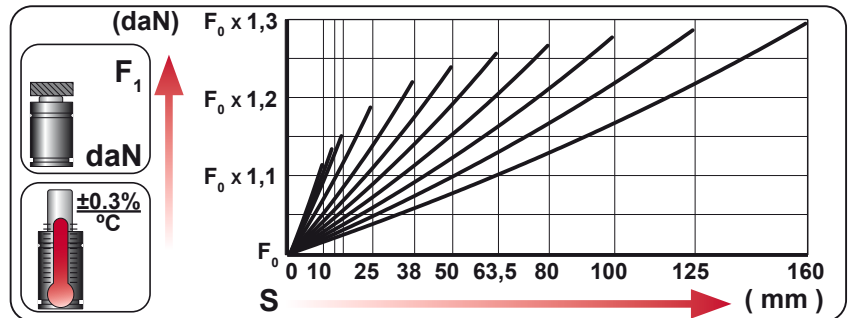
ORDER	S (mm)	L1 ±0.25 (mm)	L (mm)	Kg.
AG 500 010	10	105	95	0.83
AG 500 013	13	111	98	0.85
AG 500 016	16	117	101	0.86
AG 500 025	25	135	110	0.91
AG 500 038	38	161	123	0.97
AG 500 050	50	185	135	1.03
AG 500 063	63.5	212	148.5	1.10
AG 500 080	80	245	165	1.18
AG 500 100	100	285	185	1.28
AG 500 125	125	335	210	1.41
AG 500 160	160	405	245	1.58



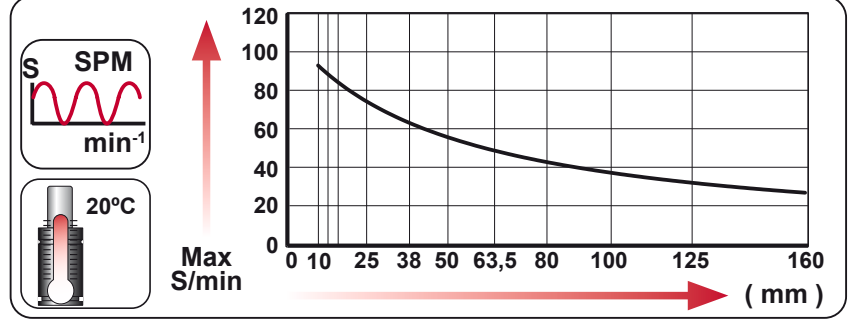
CODE	Image	Pressure		Force	
		bar	psi	daN	daN
AG 500 050		150	2175	470	580
AG-H 500 050		0	0	---	---



EQUIPPED WITH VDI - SAFETY



Language	Order Term	Force (daN)	Stroke (mm)
ENG	ORDER	500	50
DEU	BESTELLUNG		
FRA	COMMANDE		
ITA	ORDINE		
ESP	PEDIDO		
POR	PEDIDO		



--	--	--	--	--	--	--	--

N ₂	Smax < 90%	Vmax 1,6 m/s	bar psi	bar psi	°C °F	°C °F	600 CP-
			20 290	150 2175	0 32	80 176	

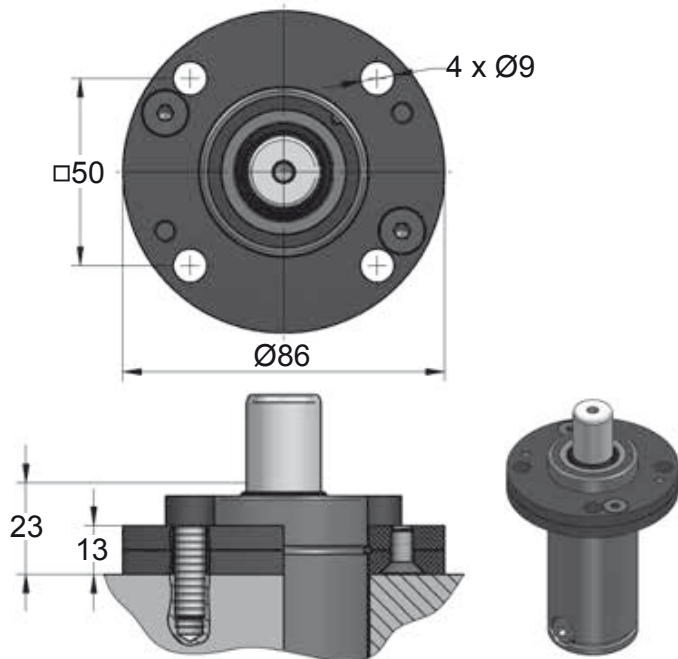


AG 500 MOUNTS

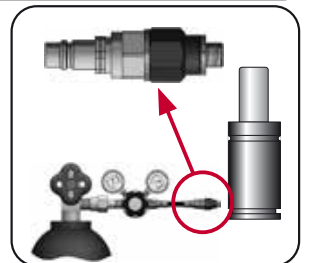
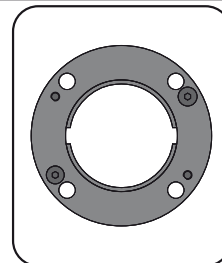
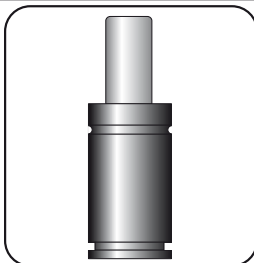
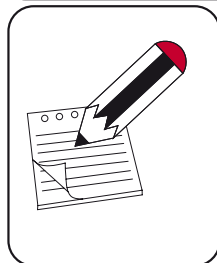
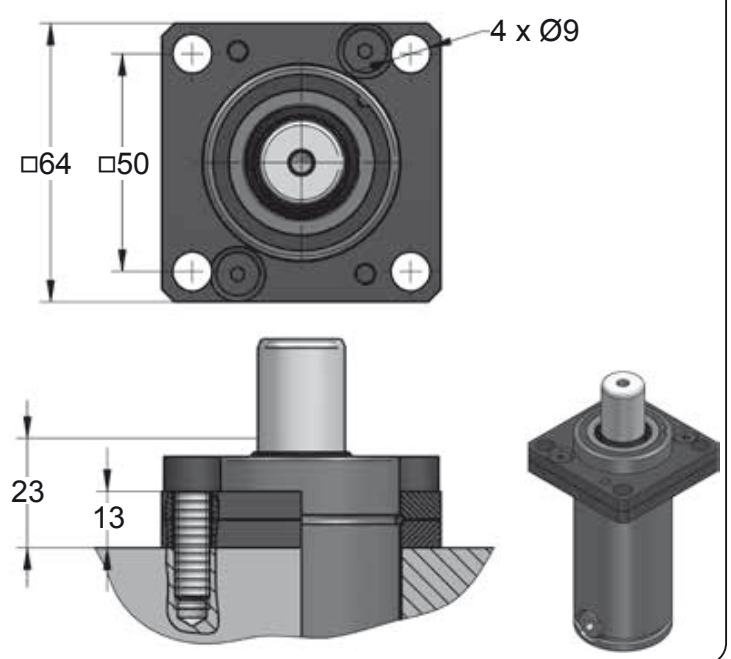
ISO

s mm Ø mm L1 mm		<p>50</p> <p>Ø45</p> <p>L1=132</p> <p>L1=147</p>		<p>50</p> <p>Ø45</p> <p>L1=138</p> <p>L1=150</p> <p>L1=150</p>	<p>50</p> <p>Ø45</p> <p>L1=160</p> <p>L1=185</p>	<p>50</p> <p>Ø45</p> <p>L1=185</p>	<p>50</p> <p>Ø45</p> <p>L1=160</p>	
MODEL	X	CW 750 KZ 750	X	CT 700 CK 750 FD 500	CM 600 CD 700	AG 500	CPH 1250	X
SERIES	MINI 	COMPACT HEIGHT 	THREADED 	LOW PROFILE 	HEAVY DUTY 	ISO 	HEAVY LOAD 	POWER COMPACT STROKE

A14-045



A34-045



CODE	AG 500 050	KIT S-XXXXXXX KIT C-XXXXXXX	A14-045	18 CG 1-Q
ENG ORDER	GAS SPRING	REPAIR KIT	FLANGE	CHARGING ADAPTER
DEU BESTELLUNG	GASDRUCKFEDER	ERSATZTEILSATZ	FLANSCH	LADEADAPTER
FRA COMMANDE	RESSORT À GAZ	KIT DE RÉPARATION	BRIDE	RACCORD DE CHARGE
ITA ORDINE	CILINDRO AD AZOTO	KIT DI MANUTENZIONE	FLANGE	ADATTATORE DI CARICO
ESP PEDIDO	RESORTE DE GAS	KIT DE REPARACION	BRIDA	ADAPTADOR DE CARGA
POR PEDIDO	CILINDRO DE GÁS	KIT DE MANUTENÇÃO	FLANGE	ADAPTADOR DE CARGA

AG 500 MOUNTS

150

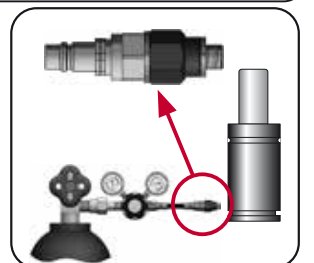
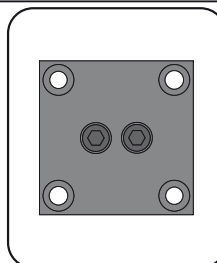
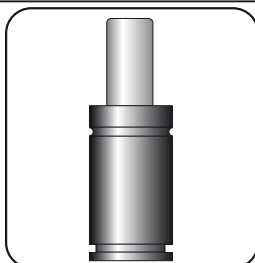
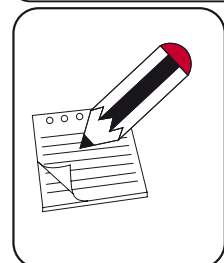


B21-045

B76-045

C05-045

C20-045



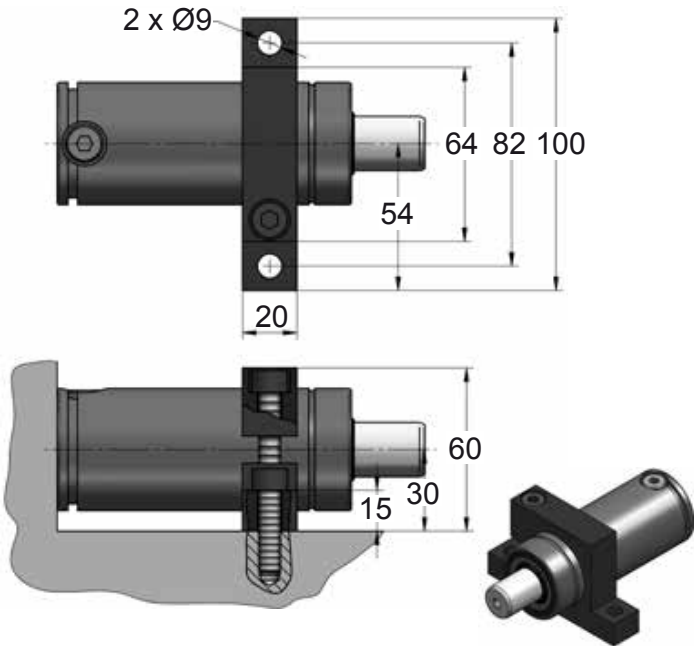
CODE	AG 500 050	KIT S-XXXXXXX KIT C-XXXXXXX	B21-045	18 CG 1-Q
ENG	ORDER	GAS SPRING	REPAIR KIT	CHARGING ADAPTER
DEU	BESTELLUNG	GASDRUCKFEDER	ERSATZTEILSATZ	LADEADAPTER
FRA	COMMANDE	RESSORT À GAZ	KIT DE RÉPARATION	RACCORD DE CHARGE
ITA	ORDINE	CILINDRO AD AZOTO	KIT DI MANUTENZIONE	ADATTATORE DI CARICO
ESP	PEDIDO	RESORTE DE GAS	KIT DE REPARACION	ADAPTADOR DE CARGA
POR	PEDIDO	CILINDRO DE GÁS	KIT DE MANUTENÇÃO	ADAPTADOR DE CARGA



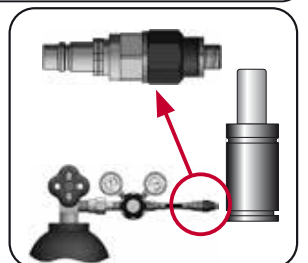
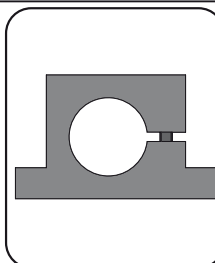
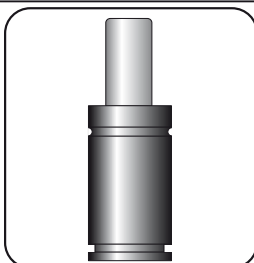
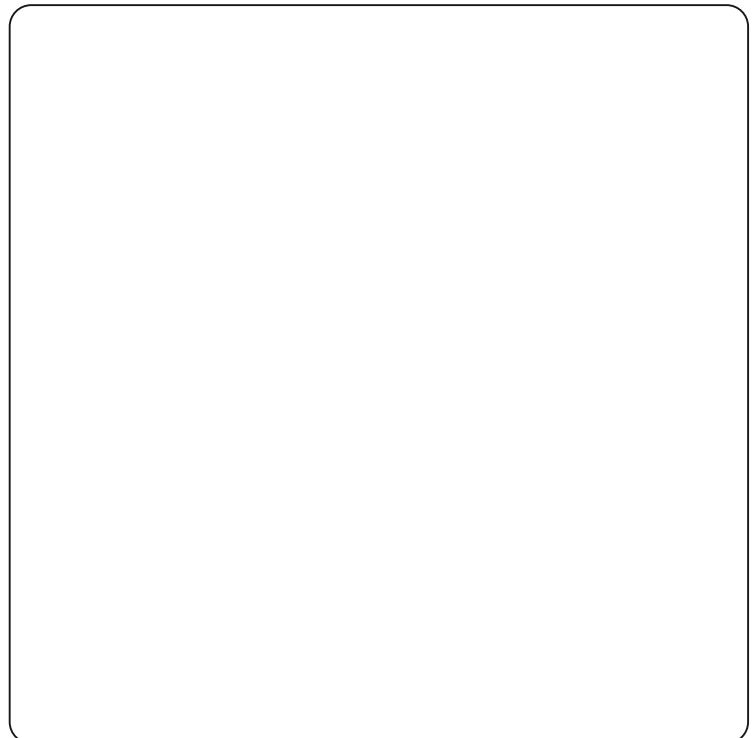
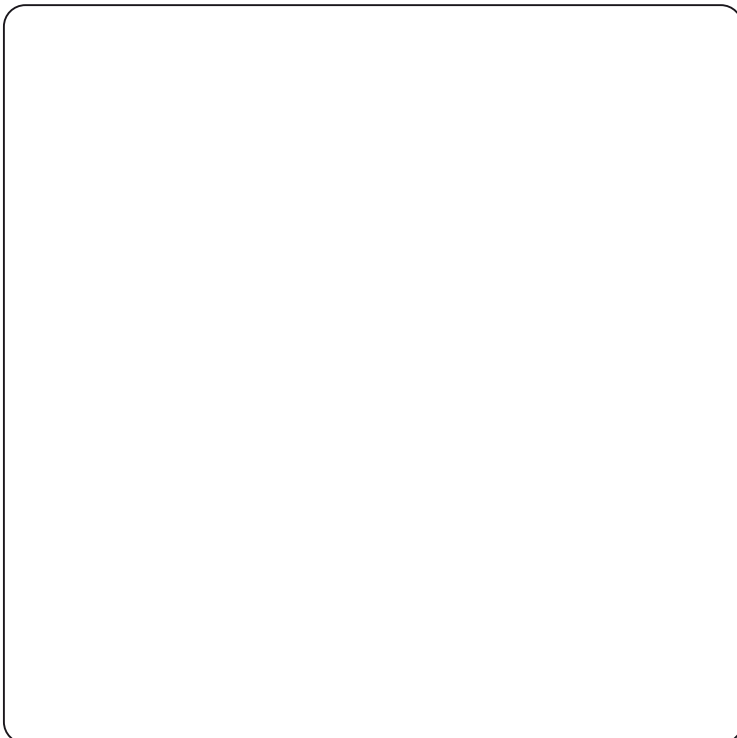
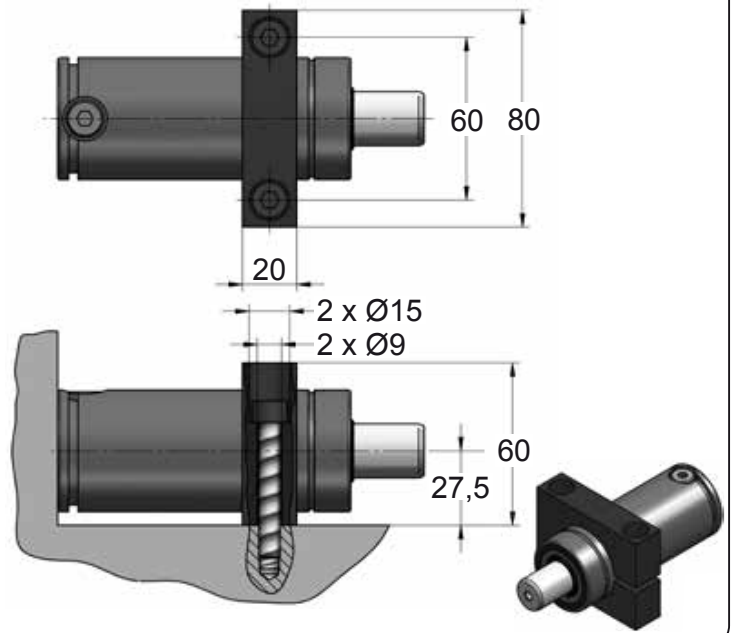
AG 500 MOUNTS

150

D02-045



D67-045

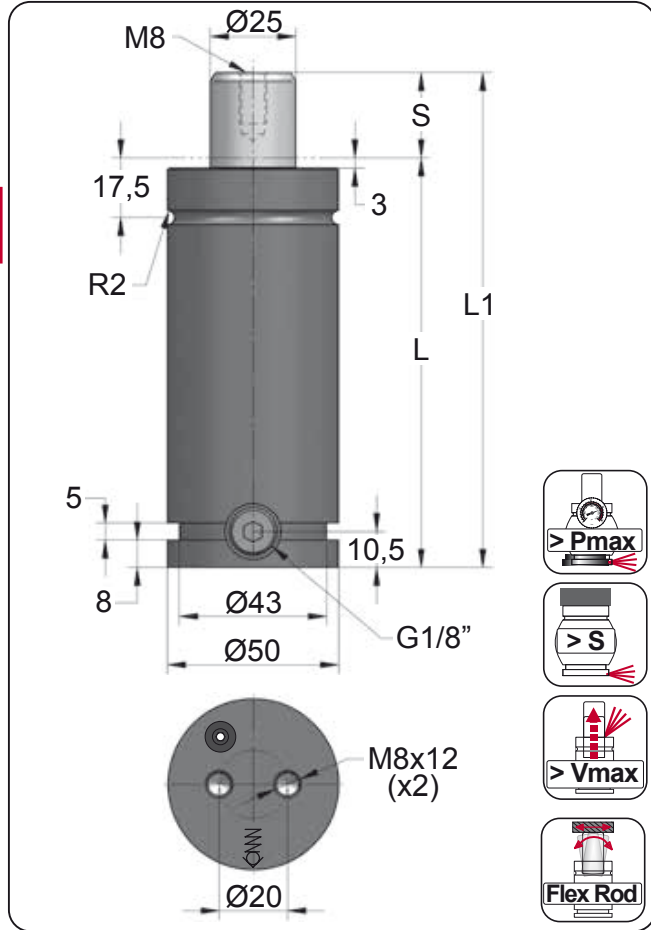


CODE	AG 500 050	KIT S-XXXXXXX KIT C-XXXXXXX	D02-045	18 CG 1-Q
ENG	ORDER	GAS SPRING	REPAIR KIT	CHARGING ADAPTER
DEU	BESTELLUNG	GASDRUCKFEDER	ERSATZTEILSATZ	LADEADAPTER
FRA	COMMANDE	RESSORT À GAZ	KIT DE RÉPARATION	RACCORD DE CHARGE
ITA	ORDINE	CILINDRO AD AZOTO	KIT DI MANUTENZIONE	ADATTATORE DI CARICO
ESP	PEDIDO	RESORTE DE GAS	KIT DE REPARACION	ADAPTADOR DE CARGA
POR	PEDIDO	CILINDRO DE GÁS	KIT DE MANUTENÇÃO	ADAPTADOR DE CARGA

AG 750

ISO

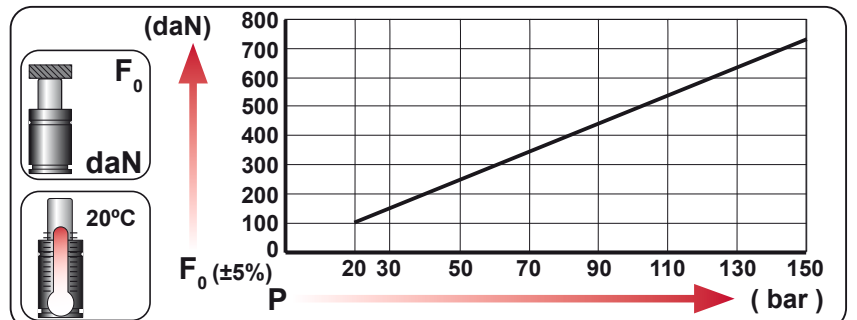
BMW B2 4006	FORD W-DX35-6203	PSA E24.54.815.G
MB B8 3180 220 000 001	GM 90.25.00	RENAULT EM24.54.700
VW 39D 878		NISSAN K32S0



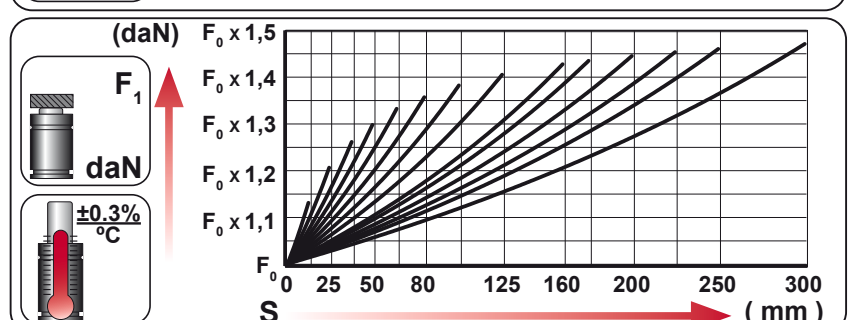
ORDER	S (mm)	L1 ±0.25 (mm)	L (mm)	Kg.
AG 750 013	13	121	108	1.12
AG 750 025	25	145	120	1.22
AG 750 038	38	171	133	1.32
AG 750 050	50	195	145	1.42
AG 750 063	63.5	222	158.5	1.53
AG 750 080	80	255	175	1.67
AG 750 100	100	295	195	1.83
AG 750 125	125	345	220	2.03
AG 750 160	160	415	255	2.32
AG 750 175	175	445	270	2.44
AG 750 200	200	495	295	2.65
AG 750 225	225	545	320	2.85
AG 750 250	250	595	345	3.06
AG 750 300	300	695	395	3.47



CODE	Image	Pressure		Force	
		bar	psi	daN	daN
AG 750 050		150	2175	740	940
AG-H 750 050		0	0	---	---

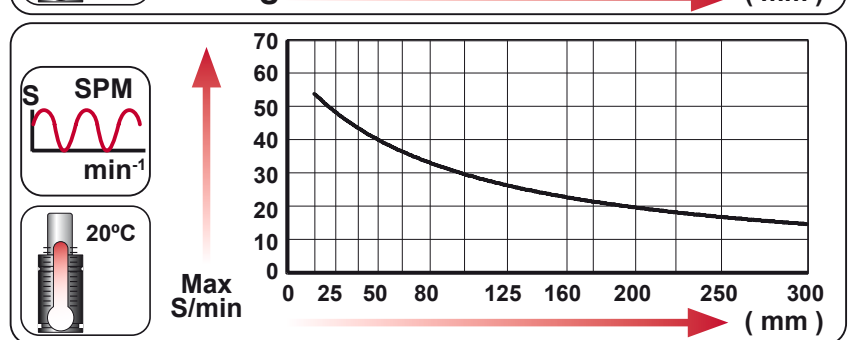


EQUIPPED WITH VDI - SAFETY



Language	Order	Force (daN)	Stroke (mm)
ENG ORDER		F ₀	S
DEU BESTELLUNG			
FRA COMMANDE			
ITA ORDINE			
ESP PEDIDO			
POR PEDIDO			

AG 750 050 **750** **50**



N ₂	Smax < 90%	Vmax 2 m/s	bar psi 20 290 bar psi 150 2175	°C °F 0 32 °C °F 80 176	600 CP-

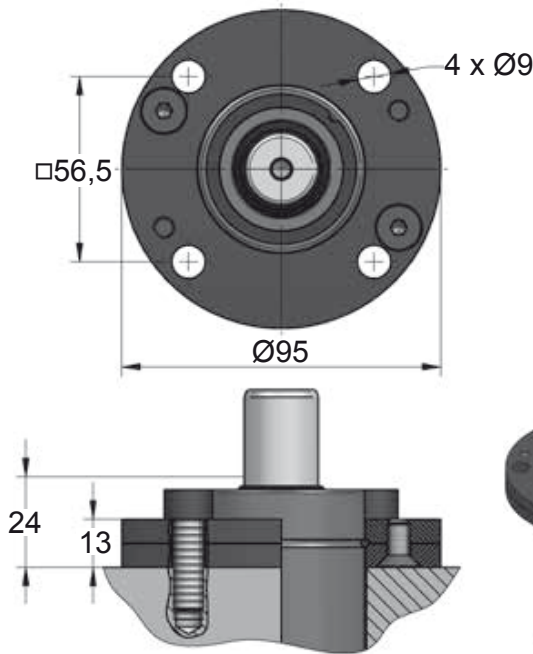


AG 750 MOUNTS

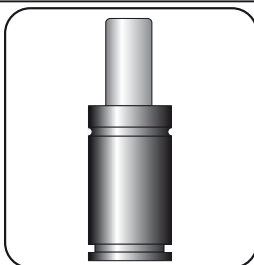
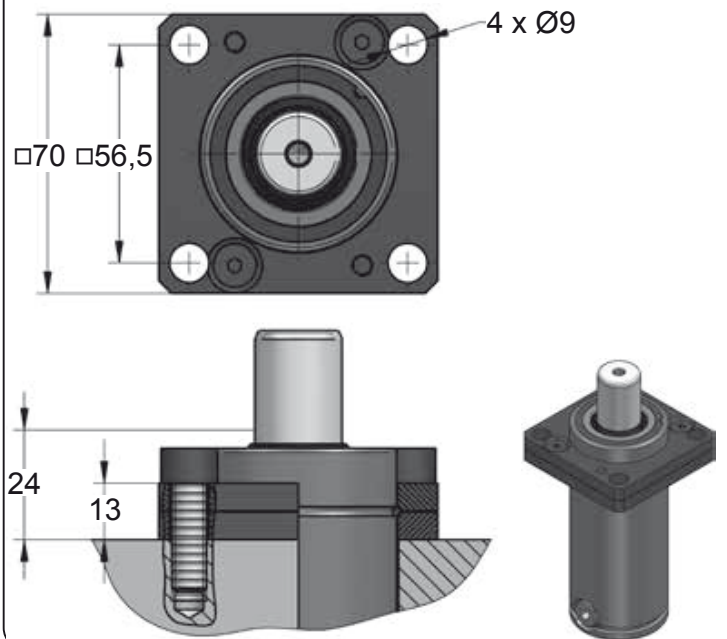
ISO

s mm Ø mm L1 mm		<p>Ø50</p> <p>L1=138</p> <p>L1=152</p> <p>L1=152</p>		<p>Ø50</p> <p>L1=138</p> <p>L1=150</p> <p>L1=150</p>	<p>Ø50</p> <p>L1=170</p> <p>L1=185</p> <p>L1=195</p>	<p>Ø50</p> <p>L1=195</p>	<p>Ø50</p> <p>L1=165</p> <p>L1=175</p>	<p>Ø50</p> <p>L1=220</p>
MODEL	X	CW 1000 KZ 1000 KT 1000	X	CT 750 CK 1000 FD 750	GN 750 CM 1000 CD 1000	AG 750	CPH 1700 CP 2000	CS 1800
SERIES	MINI	COMPACT HEIGHT	THREADED	LOW PROFILE	HEAVY DUTY	ISO	HEAVY LOAD	POWER COMPACT STROKE

A14-050



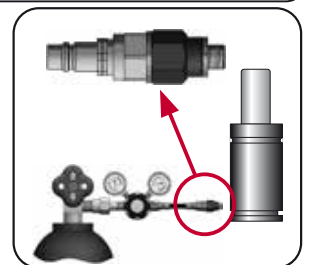
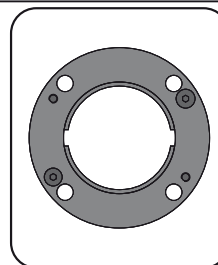
A34-050



SEAL KIT S-XXXXXXX



CARTRIDGE KIT C-XXXXXXX



CODE	AG 750 050	KIT S-XXXXXXX KIT C-XXXXXXX	A14-050	18 CG 1-Q
ENG ORDER	GAS SPRING	REPAIR KIT	FLANGE	CHARGING ADAPTER
DEU BESTELLUNG	GASDRUCKFEDER	ERSATZTEILSATZ	FLANSCH	LADEADAPTER
FRA COMMANDE	RESSORT À GAZ	KIT DE RÉPARATION	BRIDE	RACCORD DE CHARGE
ITA ORDINE	CILINDRO AD AZOTO	KIT DI MANUTENZIONE	FLANGE	ADATTATORE DI CARICO
ESP PEDIDO	RESORTE DE GAS	KIT DE REPARACION	BRIDA	ADAPTADOR DE CARGA
POR PEDIDO	CILINDRO DE GÁS	KIT DE MANUTENÇÃO	FLANGE	ADAPTADOR DE CARGA

AG 750 MOUNTS

150



B21-050

EM24.54.700/F

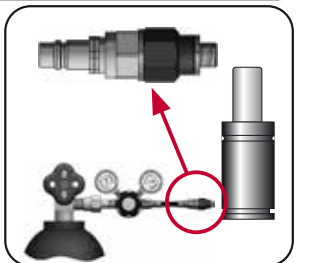
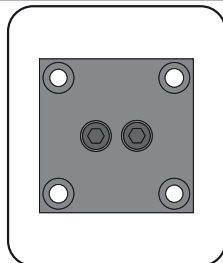
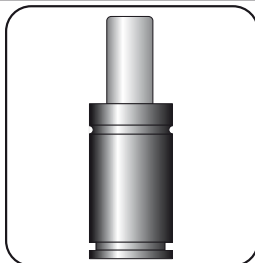
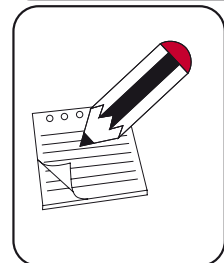
B76-050

ISO NAMR ISO E24.54.815.G EM24.54.700/F

C05-050

C20-050

ISO NAMR VDI E24.54.815.G EM24.54.700/F

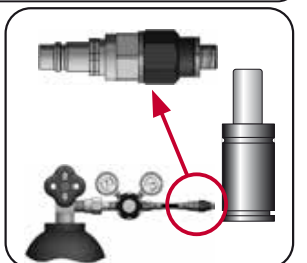
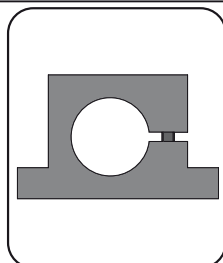
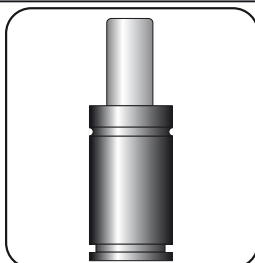
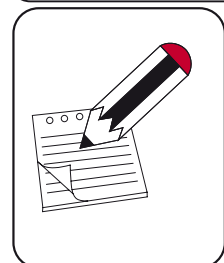
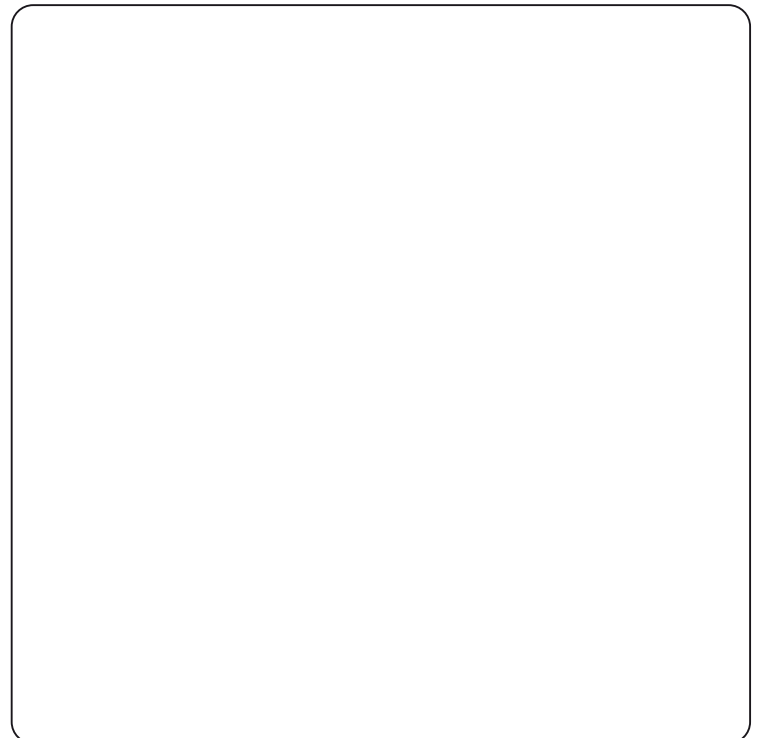
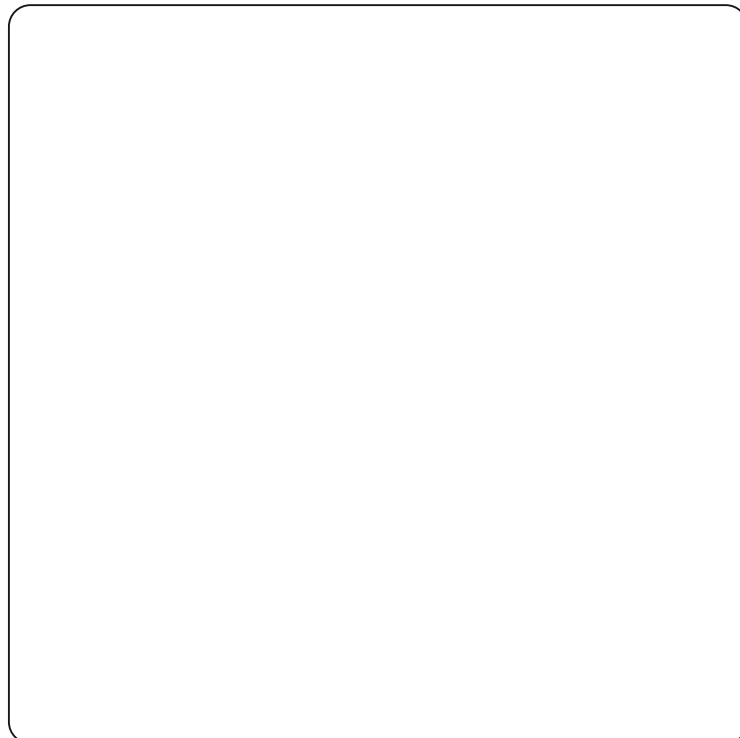
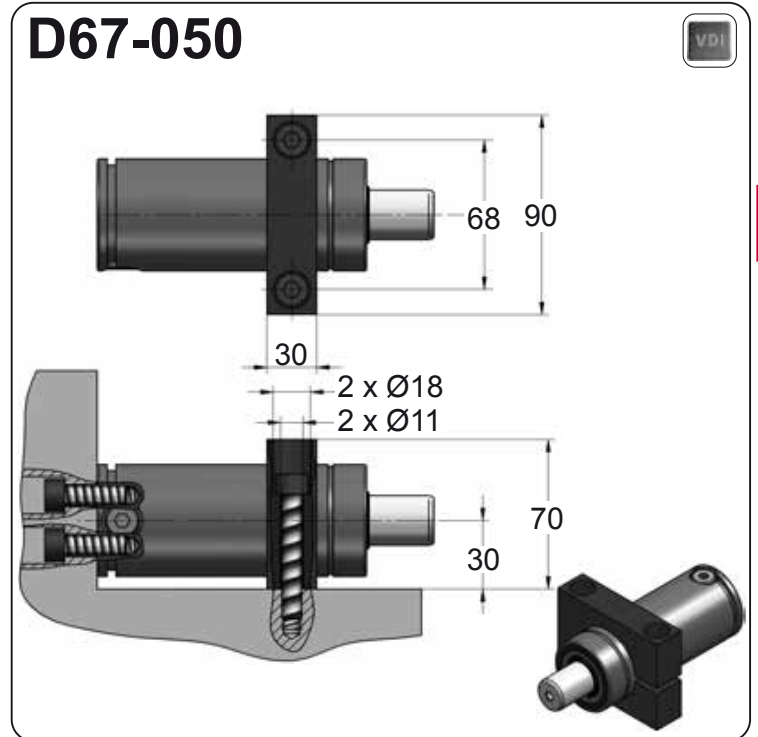
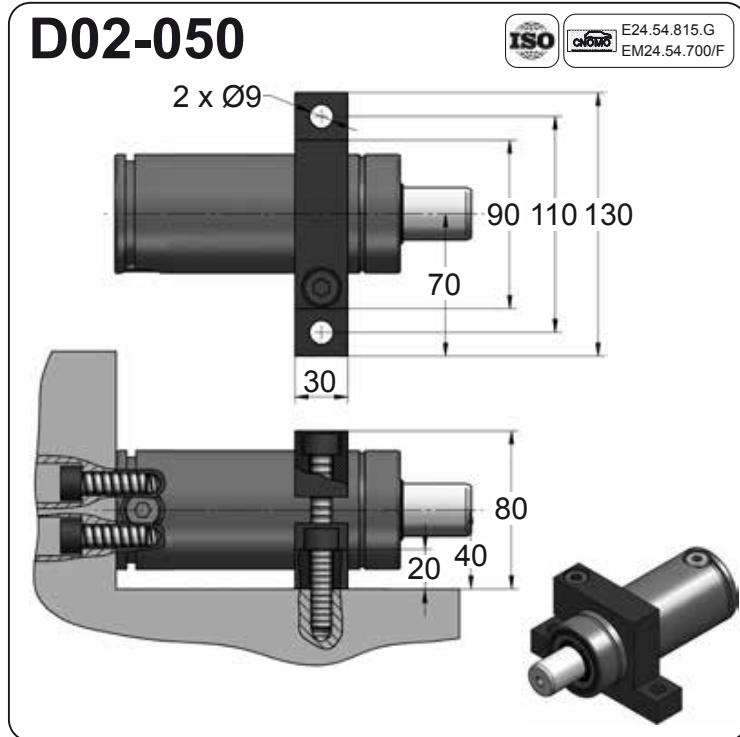


CODE	AG 750 050	KIT S-XXXXXXX KIT C-XXXXXXX	B21-050	18 CG 1-Q
ENG	ORDER	GAS SPRING	REPAIR KIT	CHARGING ADAPTER
DEU	BESTELLUNG	GASDRUCKFEDER	ERSATZTEILSATZ	LADEADAPTER
FRA	COMMANDE	RESSORT À GAZ	KIT DE RÉPARATION	RACCORD DE CHARGE
ITA	ORDINE	CILINDRO AD AZOTO	KIT DI MANUTENZIONE	ADATTATORE DI CARICO
ESP	PEDIDO	RESORTE DE GAS	KIT DE REPARACION	ADAPTADOR DE CARGA
POR	PEDIDO	CILINDRO DE GÁS	KIT DE MANUTENÇÃO	ADAPTADOR DE CARGA



AG 750 MOUNTS

150

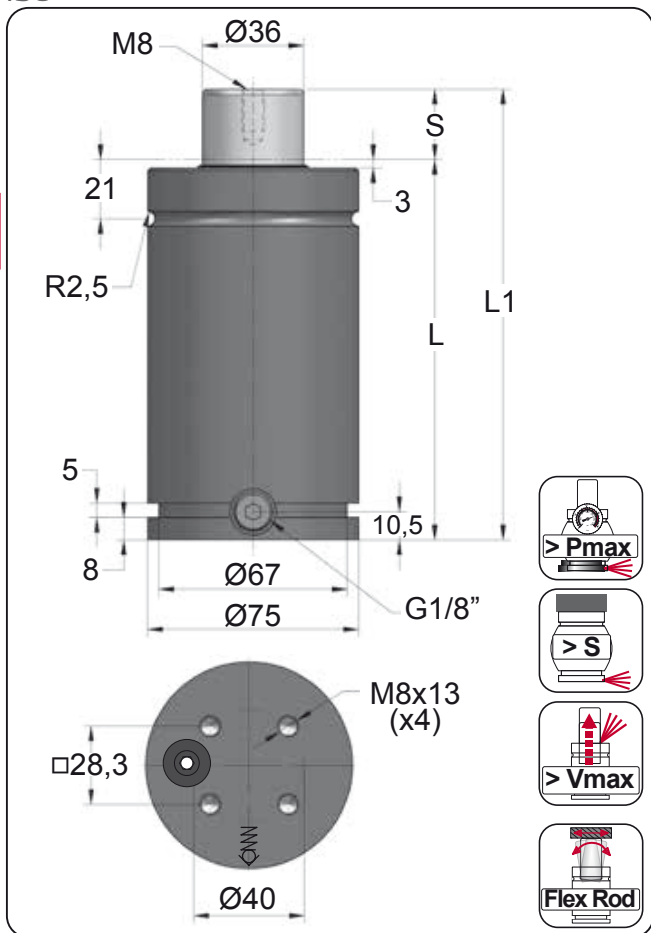


CODE	AG 750 050	KIT S-XXXXXXX KIT C-XXXXXXX	D02-050	18 CG 1-Q
ENG	ORDER	GAS SPRING	REPAIR KIT	CHARGING ADAPTER
DEU	BESTELLUNG	GASDRUCKFEDER	ERSATZTEILSATZ	LADEADAPTER
FRA	COMMANDE	RESSORT À GAZ	KIT DE RÉPARATION	RACCORD DE CHARGE
ITA	ORDINE	CILINDRO AD AZOTO	KIT DI MANUTENZIONE	ADATTATORE DI CARICO
ESP	PEDIDO	RESORTE DE GAS	KIT DE REPARACION	ADAPTADOR DE CARGA
POR	PEDIDO	CILINDRO DE GÁS	KIT DE MANUTENÇÃO	ADAPTADOR DE CARGA

AG 1500

ISO

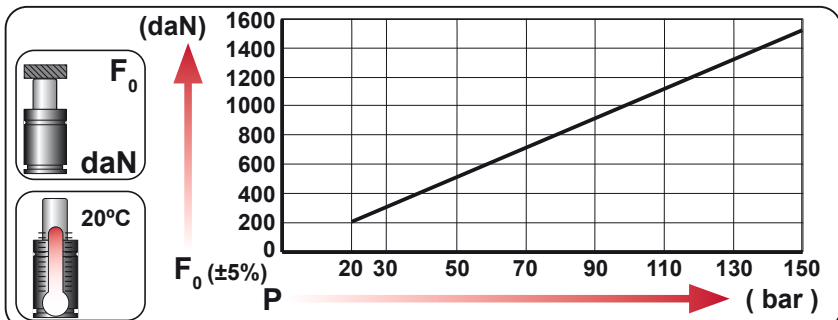
BMW B2 4006	FORD W-DX35-6203	PSA E24.54.815.G
MB B8 3180 220 000 001	GM 90.25.00	RENAULT EM24.54.700
VW 39D 878		NISSAN K32S0



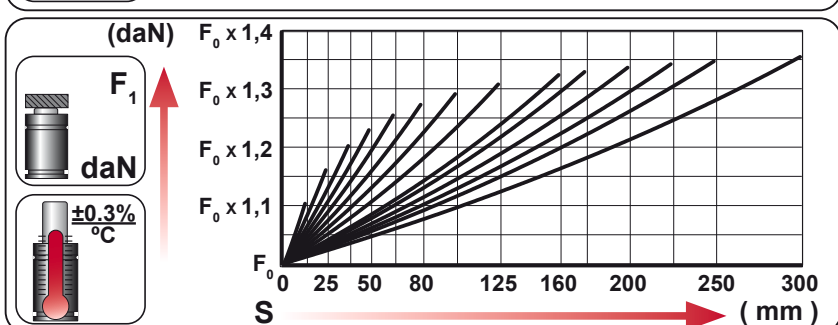
ORDER	S (mm)	L1 ±0.25 (mm)	L (mm)	Kg.
AG 1500 013	13	136	123	2.82
AG 1500 025	25	160	135	2.99
AG 1500 038	38	186	148	3.18
AG 1500 050	50	210	160	3.36
AG 1500 063	63.5	237	173.5	3.56
AG 1500 080	80	270	190	3.80
AG 1500 100	100	310	210	4.09
AG 1500 125	125	360	235	4.46
AG 1500 160	160	430	270	4.97
AG 1500 175	175	460	285	5.19
AG 1500 200	200	510	310	5.56
AG 1500 225	225	560	335	5.92
AG 1500 250	250	610	360	6.29
AG 1500 300	300	710	410	7.02



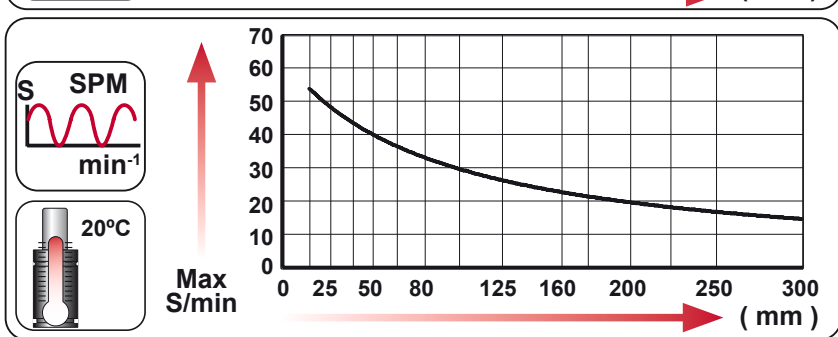
CODE	Image	Pressure		Force	
		bar	psi	daN	daN
AG 1500 050		150	2175	1530	1880
AG-H 1500 050		0	0	---	---



VDI 3003 **EQUIPPED WITH VDI - SAFETY**



Language	Order	Force (daN)	Stroke (mm)
ENG ORDER	ORDER	1500	50
DEU BESTELLUNG	BESTELLUNG		
FRA COMMANDE	COMMANDE		
ITA ORDINE	ORDINE		
ESP PEDIDO	PEDIDO		
POR PEDIDO	PEDIDO		



N ₂	Smax < 90%	Vmax 2 m/s	bar psi 20 290 bar psi 150 2175	°C °F 0 32 °C °F 80 176	600 CP-

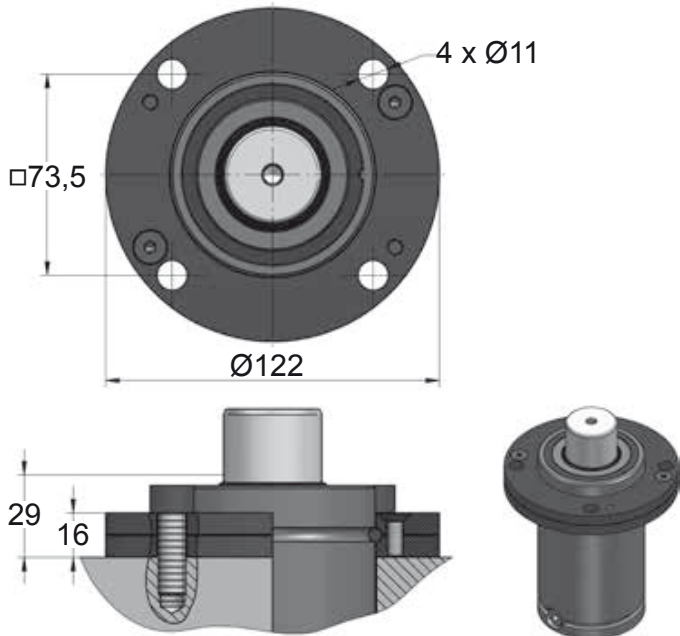


AG 1500 MOUNTS

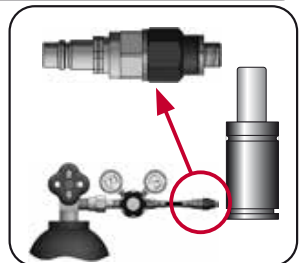
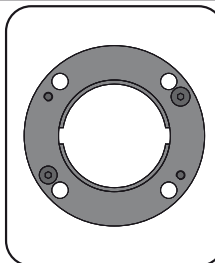
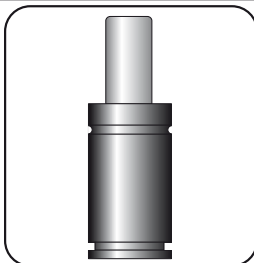
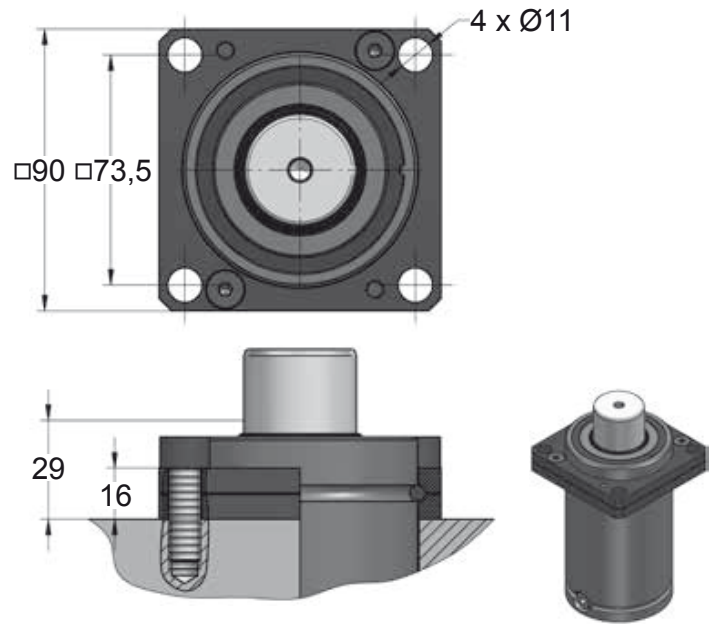
ISO

s mm Ø mm L1 mm		<p>50</p> <p>Ø75</p> <p>L1=145</p> <p>L1=159</p> <p>L1=159</p>		<p>50</p> <p>Ø75</p> <p>L1=154</p> <p>L1=160</p> <p>L1=160</p>	<p>50</p> <p>Ø75</p> <p>L1=185</p> <p>L1=195</p> <p>L1=210</p>	<p>50</p> <p>Ø75</p> <p>L1=210</p>	<p>50</p> <p>Ø75</p> <p>L1=175</p> <p>L1=200</p>	<p>50</p> <p>Ø75</p> <p>L1=240</p>
MODEL	X	CW 2400 KZ 2400 KT 2400	X	CT 2500 CK 2500 FD 1500	GN 1500 CM 2500 CD 2400	AG 1500	CPH 4300 CP 5000	CS 4700
SERIES	MINI	COMPACT HEIGHT	THREADED	LOW PROFILE	HEAVY DUTY	ISO	HEAVY LOAD	POWER COMPACT STROKE

A14-075



A34-075



CODE	AG 1500 050	KIT S-XXXXXXX KIT C-XXXXXXX	A14-075	18 CG 1-Q
ENG ORDER	GAS SPRING	REPAIR KIT	FLANGE	CHARGING ADAPTER
DEU BESTELLUNG	GASDRUCKFEDER	ERSATZTEILSATZ	FLANSCH	LADEADAPTER
FRA COMMANDE	RESSORT À GAZ	KIT DE RÉPARATION	BRIDE	RACCORD DE CHARGE
ITA ORDINE	CILINDRO AD AZOTO	KIT DI MANUTENZIONE	FLANGE	ADATTATORE DI CARICO
ESP PEDIDO	RESORTE DE GAS	KIT DE REPARACION	BRIDA	ADAPTADOR DE CARGA
POR PEDIDO	CILINDRO DE GÁS	KIT DE MANUTENÇÃO	FLANGE	ADAPTADOR DE CARGA

AG 1500 MOUNTS

ISO



B21-075

EM24.54.700/F

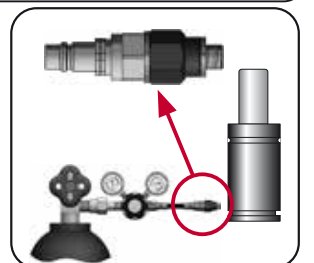
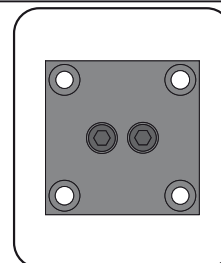
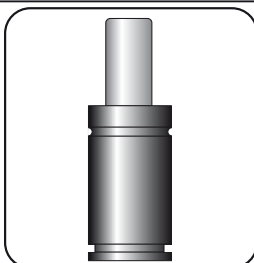
B76-075

ISO NAMM E24.54.815.G EM24.54.700/F

C05-075

C20-075

ISO NAMM VDI E24.54.815.G EM24.54.700/F

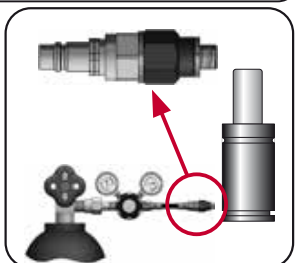
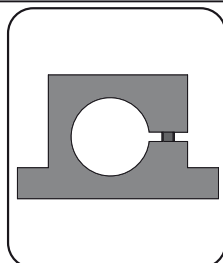
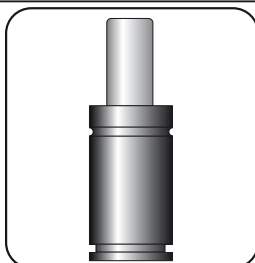
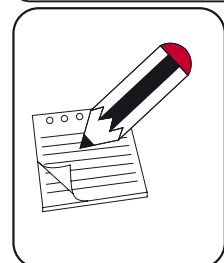
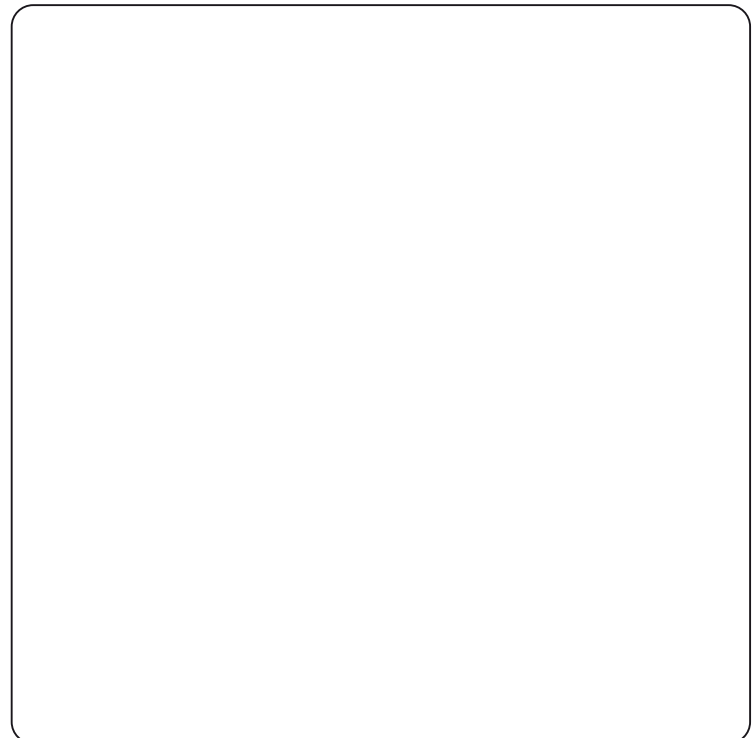
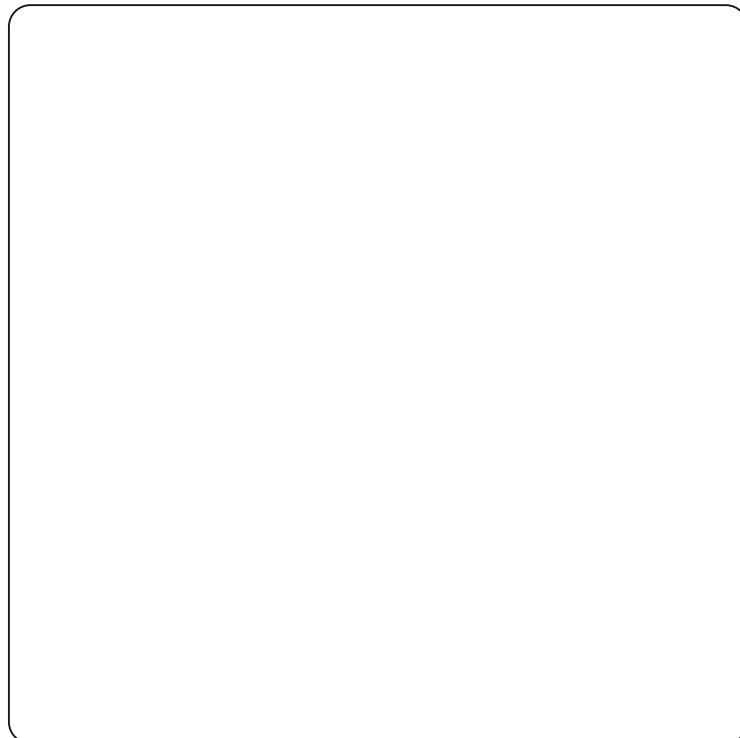
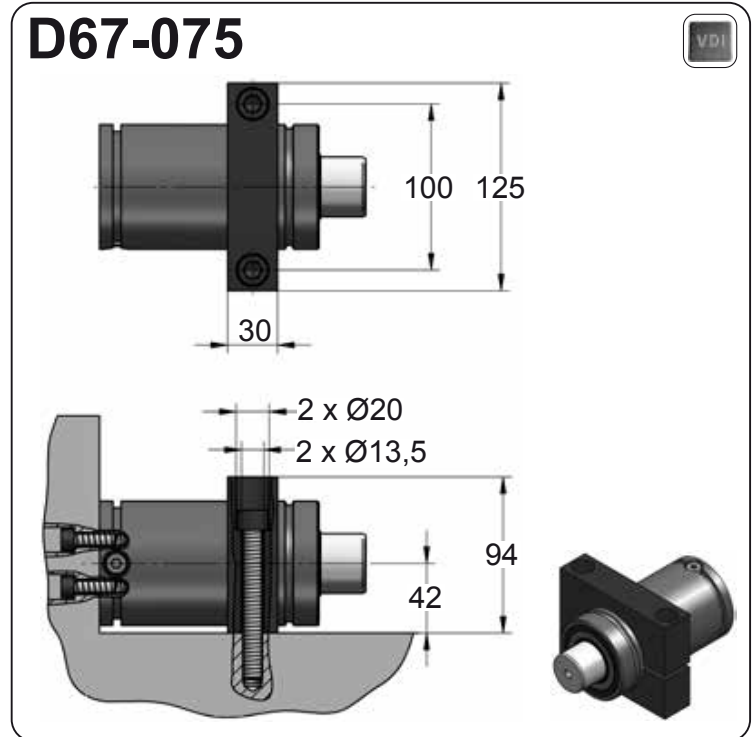
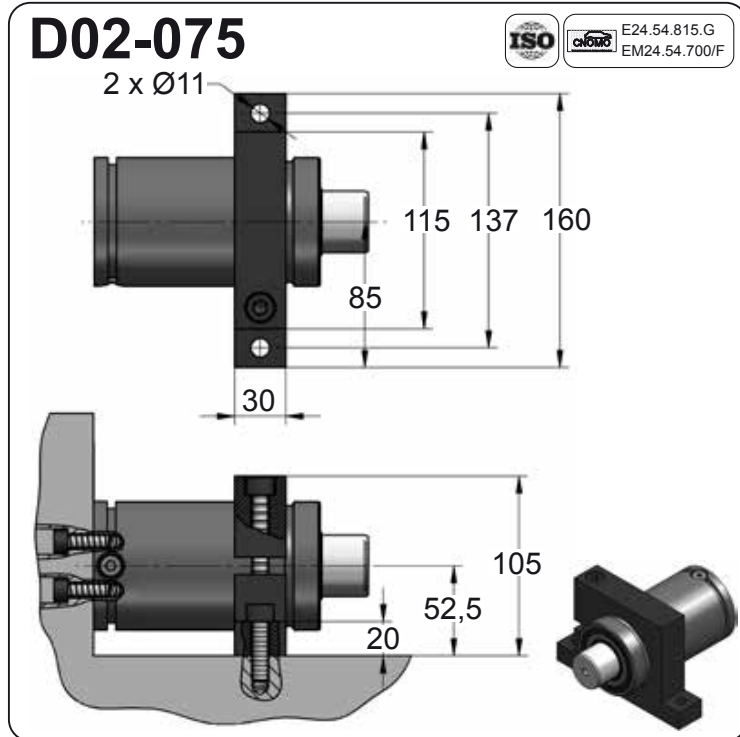


CODE	AG 1500 050	KIT S-XXXXXXX KIT C-XXXXXXX	B21-075	18 CG 1-Q
ENG	ORDER	GAS SPRING	REPAIR KIT	CHARGING ADAPTER
DEU	BESTELLUNG	GASDRUCKFEDER	ERSATZTEILSATZ	LADEADAPTER
FRA	COMMANDE	RESSORT À GAZ	KIT DE RÉPARATION	RACCORD DE CHARGE
ITA	ORDINE	CILINDRO AD AZOTO	KIT DI MANUTENZIONE	ADATTATORE DI CARICO
ESP	PEDIDO	RESORTE DE GAS	KIT DE REPARACION	ADAPTADOR DE CARGA
POR	PEDIDO	CILINDRO DE GÁS	KIT DE MANUTENÇÃO	ADAPTADOR DE CARGA



AG 1500 MOUNTS

150

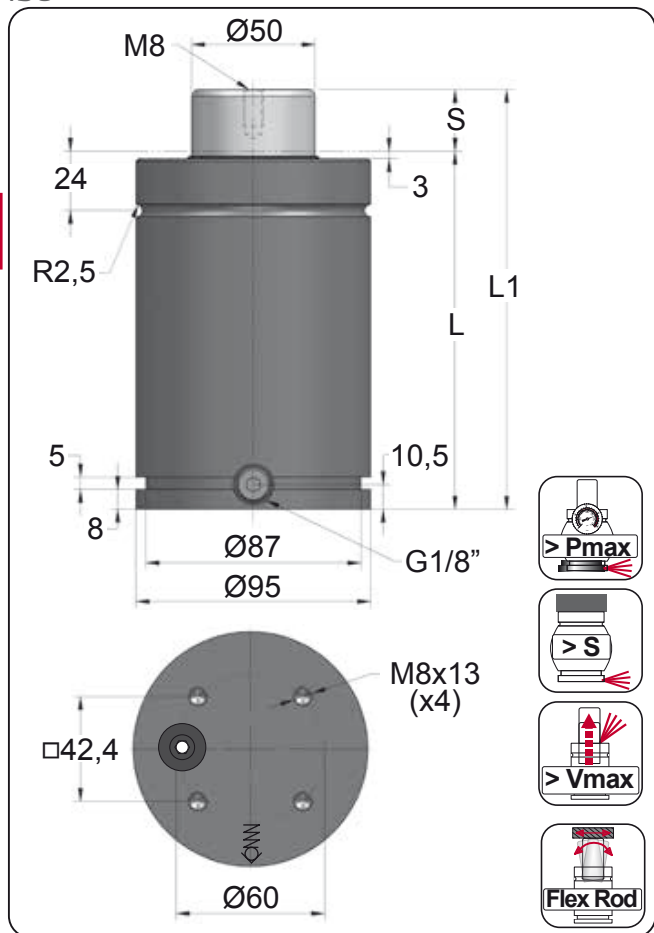


CODE	AG 1500 050	KIT S-XXXXXXX KIT C-XXXXXXX	D02-075	18 CG 1-Q
ENG	ORDER	GAS SPRING	REPAIR KIT	FLANGE
DEU	BESTELLUNG	GASDRUCKFEDER	ERSATZTEILSATZ	FLANSCHEN
FRA	COMMANDE	RESSORT À GAZ	KIT DE RÉPARATION	BRIDE
ITA	ORDINE	CILINDRO AD AZOTO	KIT DI MANUTENZIONE	FLANGE
ESP	PEDIDO	RESORTE DE GAS	KIT DE REPARACION	BRIDA
POR	PEDIDO	CILINDRO DE GÁS	KIT DE MANUTENÇÃO	FLANGE
				CHARGING ADAPTER
				LADEADAPTER
				RACCORD DE CHARGE
				ADATTATORE DI CARICO
				ADAPTADOR DE CARGA
				ADAPTADOR DE CARGA

AG 3000

ISO

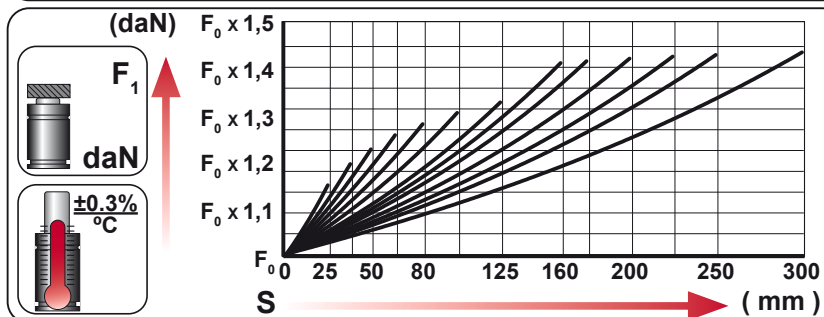
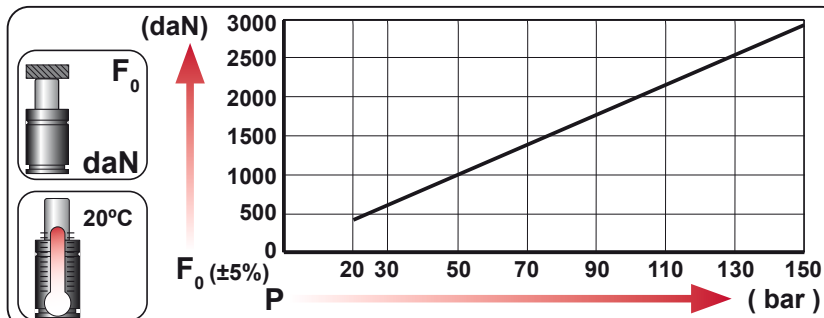
BMW B2 4006	FORD W-DX35-6203	PSA E24.54.815.G
MB B8 3180 220 000 001	GM 90.25.00	RENAULT EM24.54.700
VW 39D 878		NISSAN K32S0



ORDER	S (mm)	L1 ±0.25 (mm)	L (mm)	Kg.
AG 3000 025	25	170	145	5.14
AG 3000 038	38	196	158	5.48
AG 3000 050	50	220	170	5.80
AG 3000 063	63.5	247	183.5	6.15
AG 3000 080	80	280	200	6.58
AG 3000 100	100	320	220	7.10
AG 3000 125	125	370	245	7.75
AG 3000 160	160	440	280	8.66
AG 3000 175	175	470	295	9.05
AG 3000 200	200	520	320	9.70
AG 3000 225	225	570	345	10.35
AG 3000 250	250	620	370	11.00
AG 3000 300	300	720	420	12.31

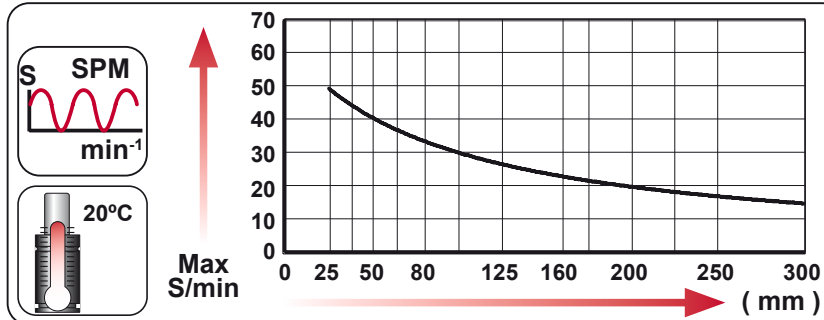


CODE	Image	Pressure		Force	
		bar	psi	daN	daN
AG 3000 050		150	2175	2945	3695
AG-H 3000 050		0	0	---	---



EQUIPPED WITH VDI - SAFETY

Language	Order	Force (daN)	Stroke (mm)
ENG	ORDER	F ₀	S
DEU	BESTELLUNG	3000	50
FRA	COMMANDE		
ITA	ORDINE		
ESP	PEDIDO		
POR	PEDIDO		



--	--	--	--	--	--

N ₂	Smax < 90%	Vmax 2 m/s	bar psi	bar psi	°C °F	°C °F	600 CP-
			20 290	150 2175	0 32	80 176	

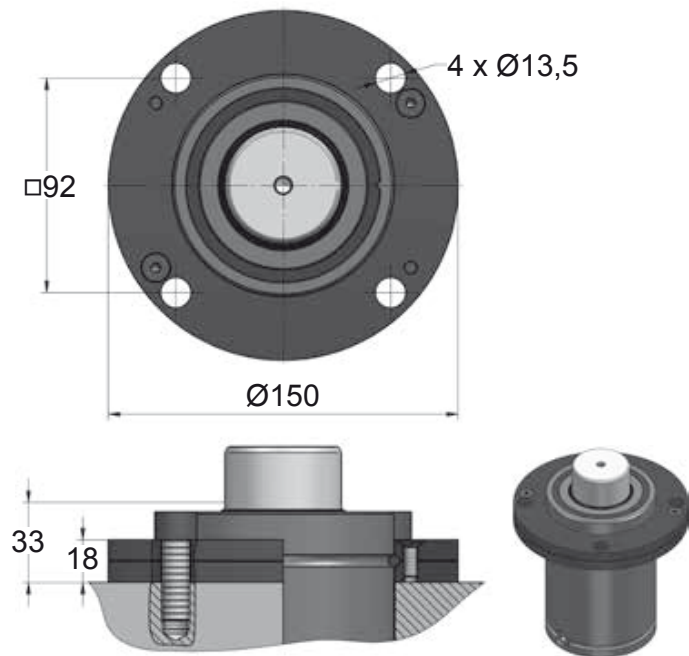


AG 3000 MOUNTS

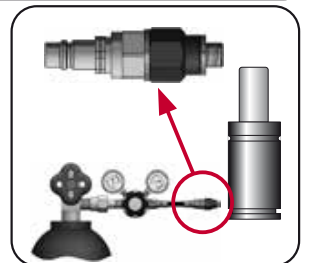
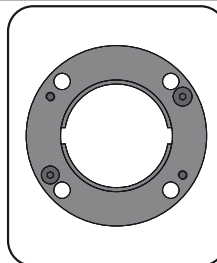
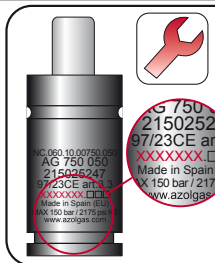
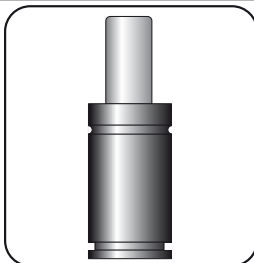
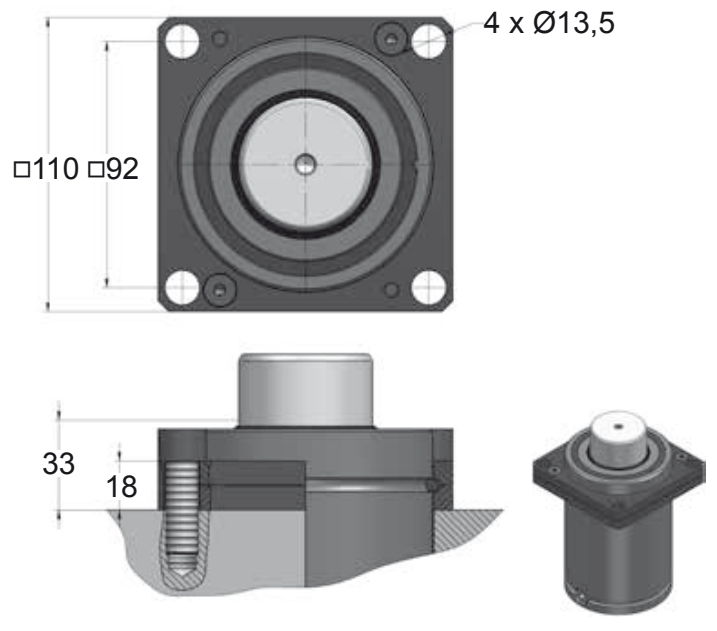
ISO

s mm Ø mm L1 mm		<p>Ø95</p> <p>L1=158</p> <p>L1=162</p> <p>L1=162</p>		<p>Ø95</p> <p>L1=170</p> <p>L1=170</p>	<p>Ø95</p> <p>L1=195</p> <p>L1=205</p> <p>L1=220</p>	<p>Ø95</p> <p>L1=220</p>	<p>Ø95</p> <p>L1=215</p>	<p>Ø95</p> <p>L1=255</p>
MODEL	X	CW 4200 KZ 4200 KT 4200	X	CK 4000 FD 3000	GN 3000 CM 4000 CD 4200	AG 3000	CP 8000	CS 7500
SERIES	MINI	COMPACT HEIGHT	THREADED	LOW PROFILE	HEAVY DUTY	ISO	HEAVY LOAD	POWER COMPACT STROKE

A14-095



A34-095



CODE	AG 3000 050	KIT S-XXXXXXX KIT C-XXXXXXX	A14-095	18 CG 1-Q
ENG ORDER	GAS SPRING	REPAIR KIT	FLANGE	CHARGING ADAPTER
DEU BESTELLUNG	GASDRUCKFEDER	ERSATZTEILSATZ	FLANSCH	LADEADAPTER
FRA COMMANDE	RESSORT À GAZ	KIT DE RÉPARATION	BRIDE	RACCORD DE CHARGE
ITA ORDINE	CILINDRO AD AZOTO	KIT DI MANUTENZIONE	FLANGE	ADATTATORE DI CARICO
ESP PEDIDO	RESORTE DE GAS	KIT DE REPARACION	BRIDA	ADAPTADOR DE CARGA
POR PEDIDO	CILINDRO DE GÁS	KIT DE MANUTENÇÃO	FLANGE	ADAPTADOR DE CARGA

AG 3000 MOUNTS

ISO



B21-095

EM24.54.700/F

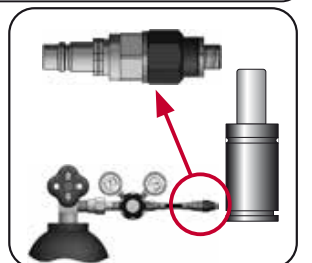
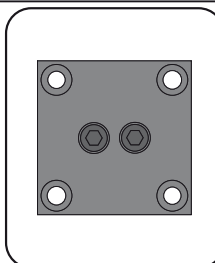
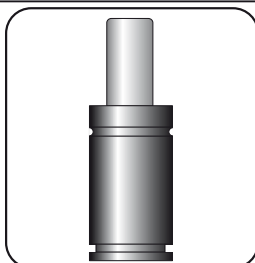
B76-095

ISO NAMM E24.54.700/F

C05-095

C20-095

ISO NAMM VDI E24.54.815.G EM24.54.700/F



CODE	AG 3000 050	KIT S-XXXXXXX KIT C-XXXXXXX	B21-095	18 CG 1-Q
ENG	ORDER	GAS SPRING	REPAIR KIT	CHARGING ADAPTER
DEU	BESTELLUNG	GASDRUCKFEDER	ERSATZTEILSATZ	LADEADAPTER
FRA	COMMANDE	RESSORT À GAZ	KIT DE RÉPARATION	RACCORD DE CHARGE
ITA	ORDINE	CILINDRO AD AZOTO	KIT DI MANUTENZIONE	ADATTATORE DI CARICO
ESP	PEDIDO	RESORTE DE GAS	KIT DE REPARACION	ADAPTADOR DE CARGA
POR	PEDIDO	CILINDRO DE GÁS	KIT DE MANUTENÇÃO	ADAPTADOR DE CARGA

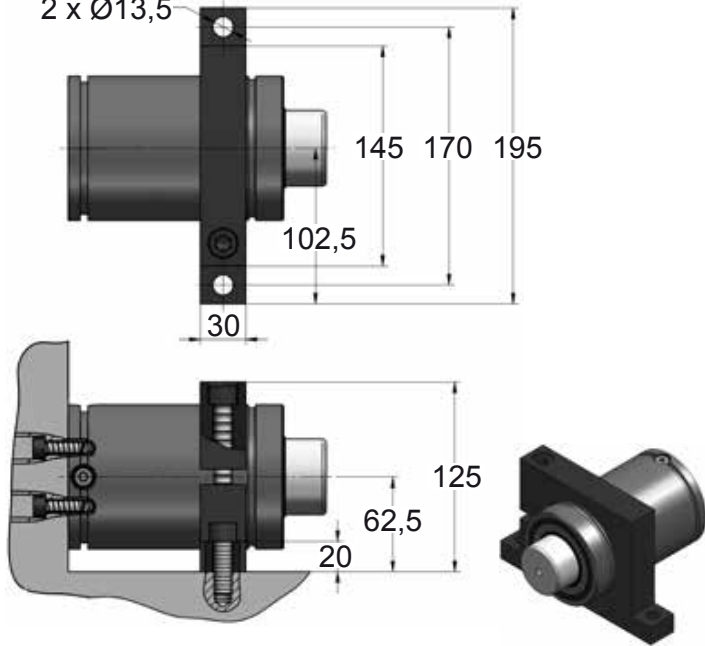


AG 3000 MOUNTS

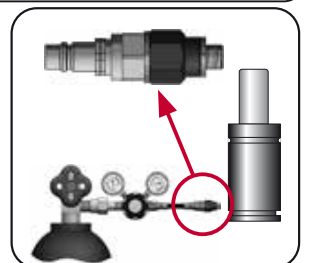
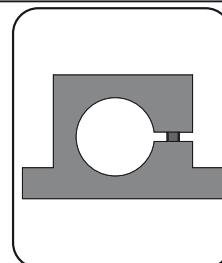
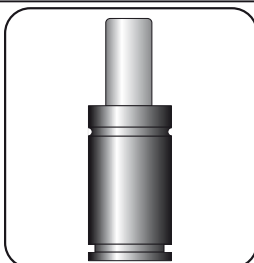
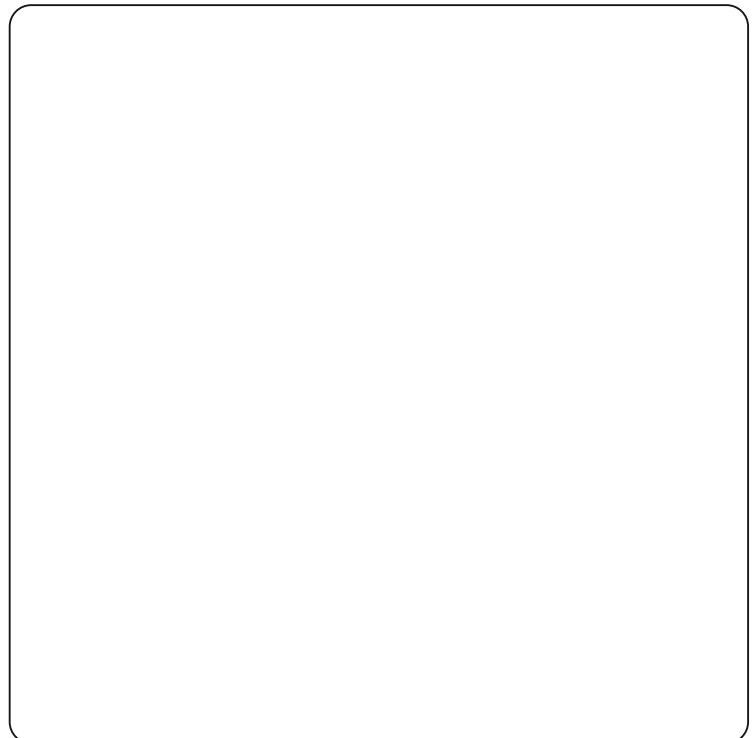
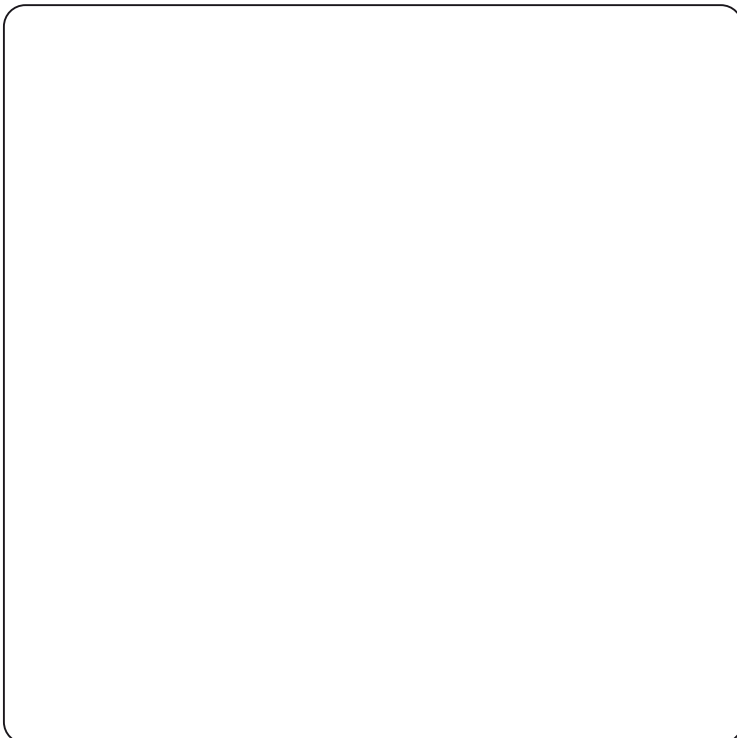
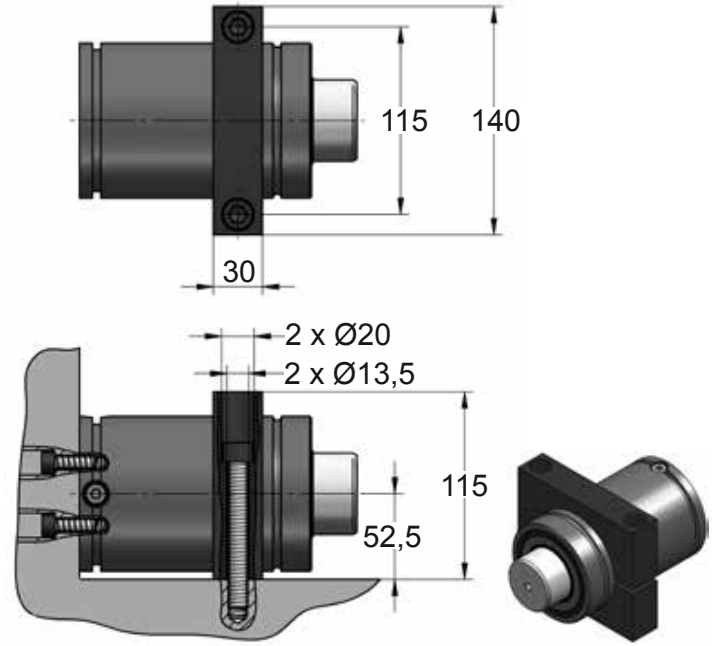
ISO

D02-095

2 x Ø13,5



D67-095

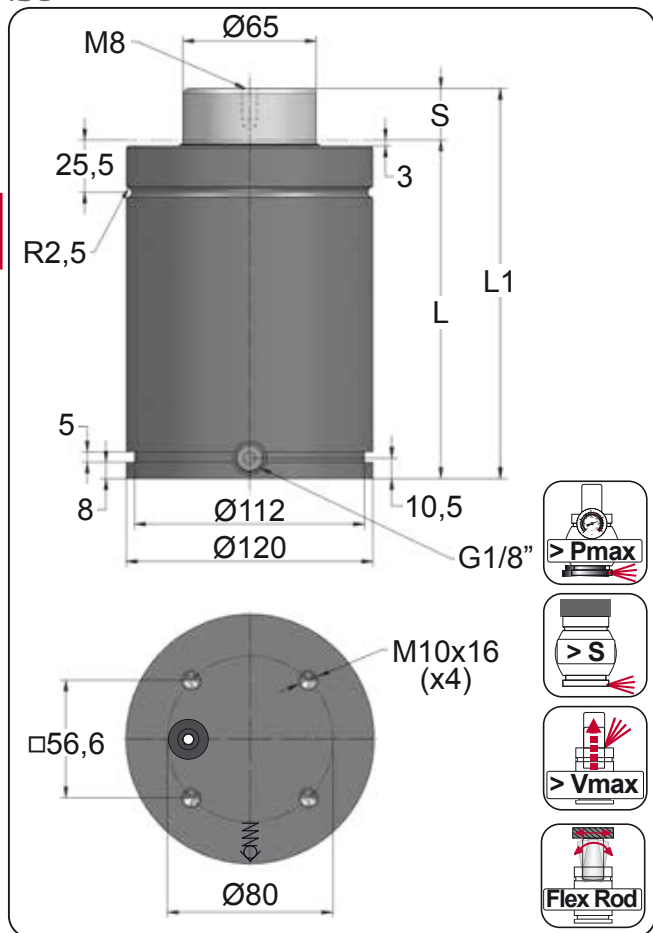


CODE	AG 3000 050	KIT S-XXXXXXX KIT C-XXXXXXX	D02-095	18 CG 1-Q
ENG	ORDER	GAS SPRING	REPAIR KIT	CHARGING ADAPTER
DEU	BESTELLUNG	GASDRUCKFEDER	ERSATZTEILSATZ	LADEADAPTER
FRA	COMMANDE	RESSORT À GAZ	KIT DE RÉPARATION	RACCORD DE CHARGE
ITA	ORDINE	CILINDRO AD AZOTO	KIT DI MANUTENZIONE	ADATTATORE DI CARICO
ESP	PEDIDO	RESORTE DE GAS	KIT DE REPARACION	ADAPTADOR DE CARGA
POR	PEDIDO	CILINDRO DE GÁS	KIT DE MANUTENÇÃO	ADAPTADOR DE CARGA

AG 5000

ISO

BMW B2 4006	FORD W-DX35-6203	PSA E24.54.815.G
MB B8 3180 220 000 001	GM 90.25.00	RENAULT EM24.54.700
VW 39D 878		NISSAN K32S0

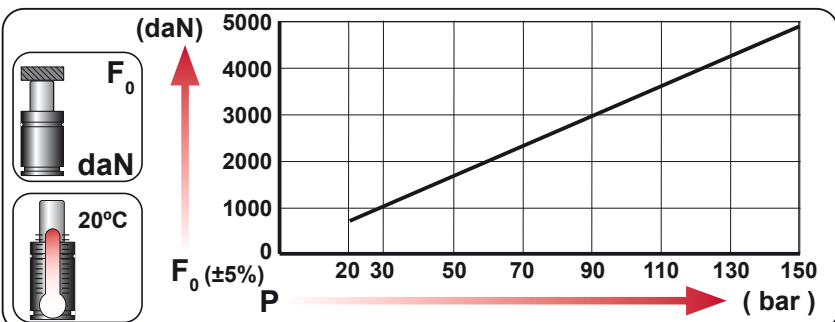


- > Pmax
- > S
- > Vmax
- Flex Rod

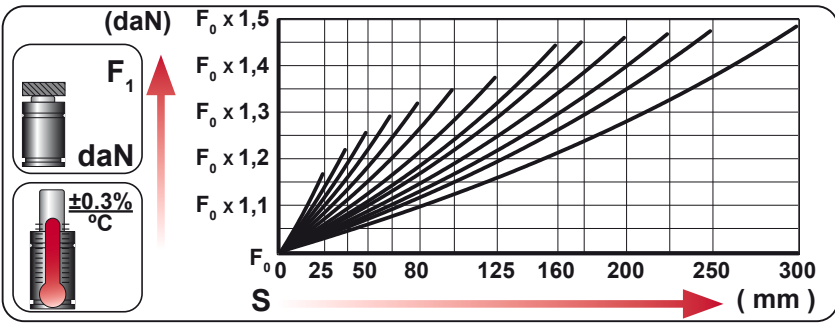
ORDER	S (mm)	L1 ±0.25 (mm)	L (mm)	Kg.
AG 5000 025	25	190	165	9.78
AG 5000 038	38	216	178	10.31
AG 5000 050	50	240	190	10.80
AG 5000 063	63.5	267	203.5	11.35
AG 5000 080	80	300	220	12.02
AG 5000 100	100	340	240	12.83
AG 5000 125	125	390	265	13.85
AG 5000 160	160	460	300	15.27
AG 5000 175	175	490	315	15.88
AG 5000 200	200	540	340	16.90
AG 5000 225	225	590	365	17.92
AG 5000 250	250	640	390	18.93
AG 5000 300	300	740	440	20.97

-
-
-
-
-

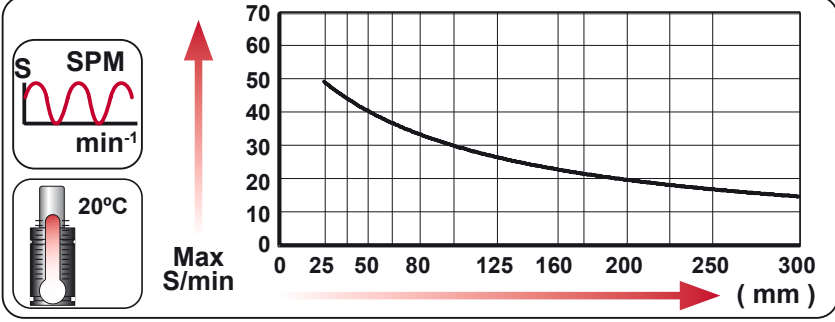
CODE	Pressure Gauge	bar	psi	F ₀ daN	F ₁ daN
AG 5000 050		150	2175	4980	6260
AG-H 5000 050		0	0	---	---



EQUIPPED WITH VDI - SAFETY



Language	Order	F ₀ daN	S mm
ENG ORDER	ORDER	5000	50
DEU BESTELLUNG	BESTELLUNG		
FRA COMMANDE	COMMANDE		
ITA ORDINE	ORDINE		
ESP PEDIDO	PEDIDO		
POR PEDIDO	PEDIDO		



N ₂	Smax < 90%	Vmax 2 m/s	bar psi	bar psi	°C °F	°C °F	600 CP-
			20 290	150 2175	0 32	80 176	



AG 5000 MOUNTS

ISO

s mm Ø mm L1 mm		<p>Ø120</p> <p>L1=168</p> <p>L1=172</p> <p>L1=172</p>		<p>Ø120</p> <p>L1=190</p>	<p>Ø120</p> <p>L1=202</p> <p>L1=215</p> <p>L1=240</p>	<p>Ø120</p> <p>L1=240</p>		<p>Ø120</p> <p>L1=260</p>
MODEL	X	CW 6600 KZ 6600 KZ 6600	X	FD 5000	GN 5000 CM 6500 CD 6600	AG 5000	X	CS 11800
SERIES	MINI 	COMPACT HEIGHT 	THREADED 	LOW PROFILE 	HEAVY DUTY 	ISO 	HEAVY LOAD 	POWER COMPACT STROKE

A14-120

ISO NAABRE 25 CNOMO E24.54.815.G EM24.54.700/F

4 x Ø13,5

Ø109,5

Ø175

36 21

A34-120

ISO VDI

4 x Ø13,5

Ø130 Ø109,5

36 21

		SEAL KIT S-XXXXXXX	CARTRIDGE KIT C-XXXXXXX		
--	--	---------------------------	--------------------------------	--	--

CODE	AG 5000 050	KIT S-XXXXXXX KIT C-XXXXXXX	A14-120	18 CG 1-Q
ENG ORDER	GAS SPRING	REPAIR KIT	FLANGE	CHARGING ADAPTER
DEU BESTELLUNG	GASDRUCKFEDER	ERSATZTEILSATZ	FLANSCH	LADEADAPTER
FRA COMMANDE	RESSORT À GAZ	KIT DE RÉPARATION	BRIDE	RACCORD DE CHARGE
ITA ORDINE	CILINDRO AD AZOTO	KIT DI MANUTENZIONE	FLANGE	ADATTATORE DI CARICO
ESP PEDIDO	RESORTE DE GAS	KIT DE REPARACION	BRIDA	ADAPTADOR DE CARGA
POR PEDIDO	CILINDRO DE GÁS	KIT DE MANUTENÇÃO	FLANGE	ADAPTADOR DE CARGA

AG 5000 MOUNTS

ISO



B21-120

EM24.54.700/F

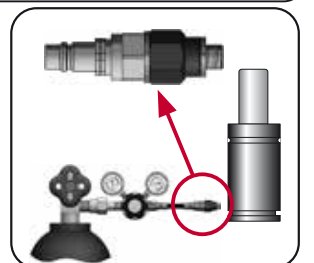
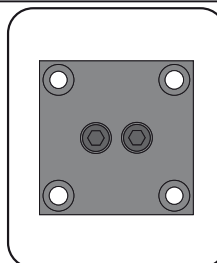
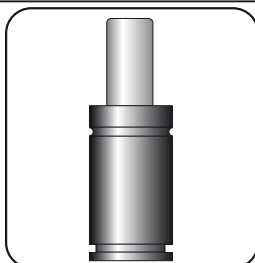
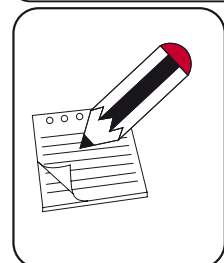
B76-120

ISO NAMR ISO EM24.54.700/F

C05-120

C20-120

ISO NAMR VDI E24.54.815.G EM24.54.700/F



CODE	AG 5000 050	KIT S-XXXXXXX KIT C-XXXXXXX	B21-120	18 CG 1-Q
ENG	ORDER	GAS SPRING	REPAIR KIT	CHARGING ADAPTER
DEU	BESTELLUNG	GASDRUCKFEDER	ERSATZTEILSATZ	LADEADAPTER
FRA	COMMANDE	RESSORT À GAZ	KIT DE RÉPARATION	RACCORD DE CHARGE
ITA	ORDINE	CILINDRO AD AZOTO	KIT DI MANUTENZIONE	ADATTATORE DI CARICO
ESP	PEDIDO	RESORTE DE GAS	KIT DE REPARACION	ADAPTADOR DE CARGA
POR	PEDIDO	CILINDRO DE GÁS	KIT DE MANUTENÇÃO	ADAPTADOR DE CARGA

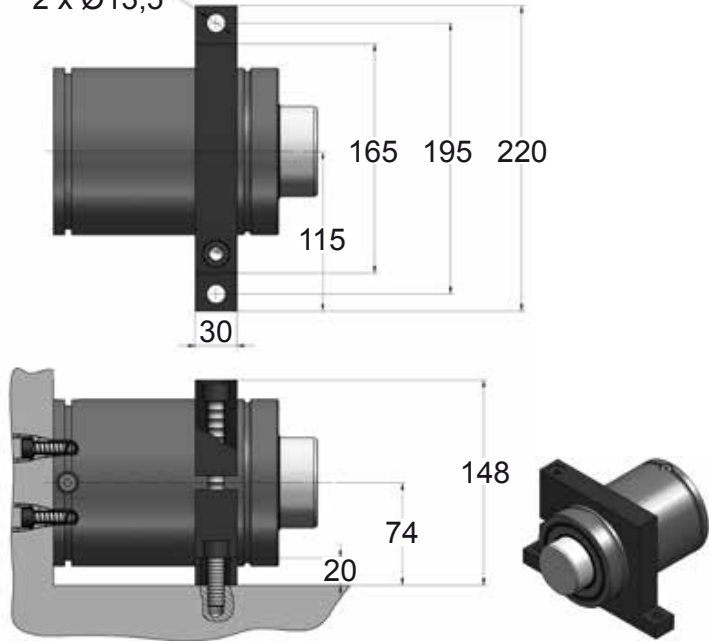


AG 5000 MOUNTS

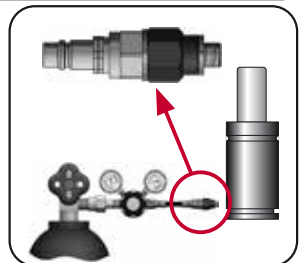
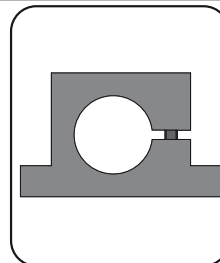
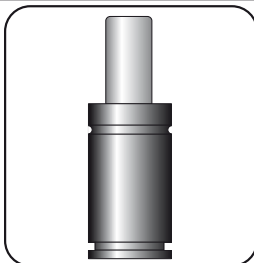
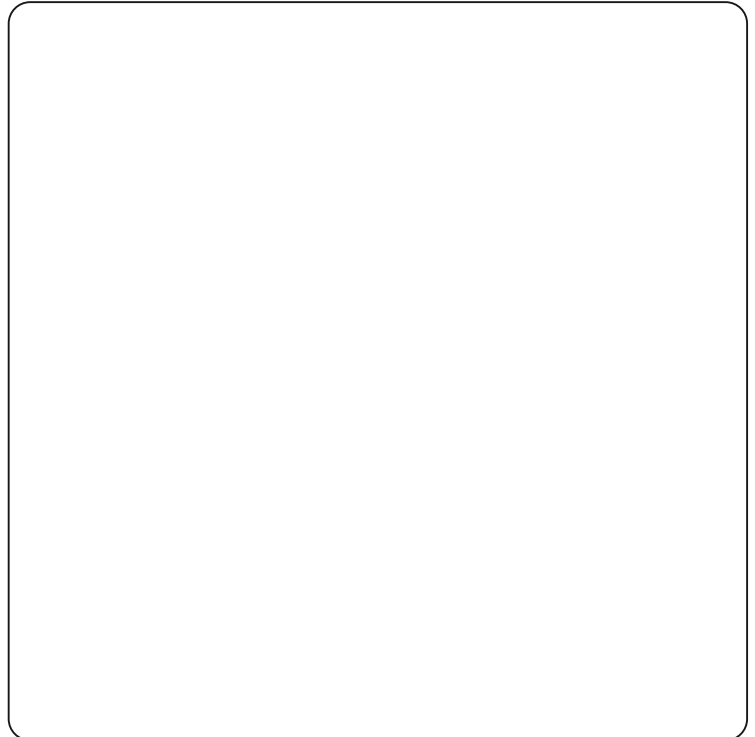
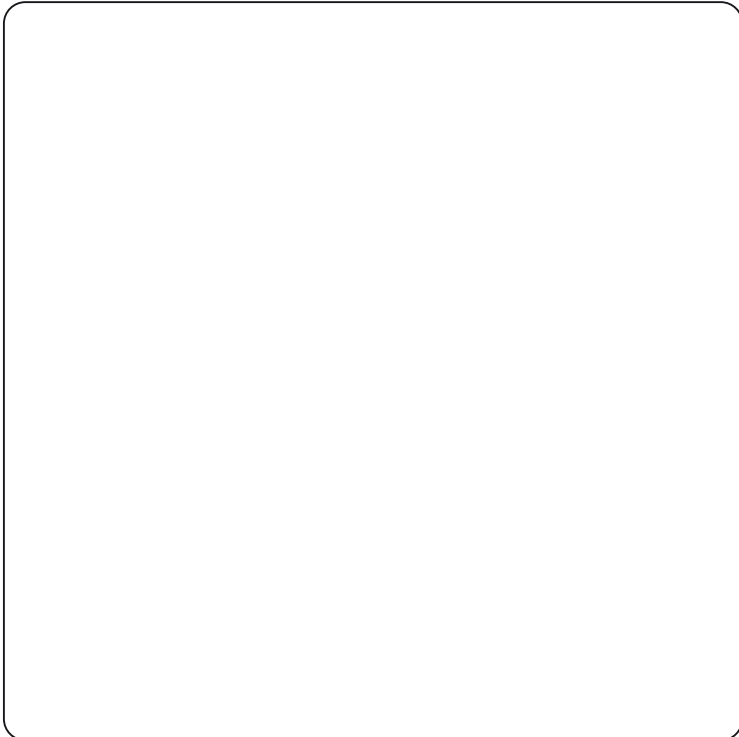
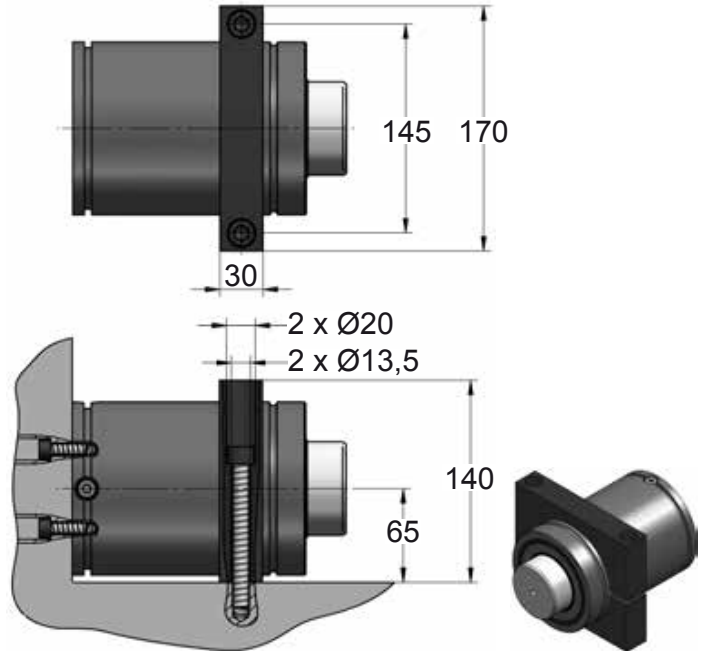
ISO

D02-120

2 x Ø13,5



D67-120

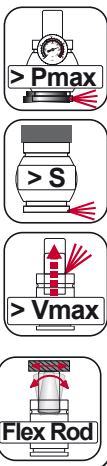
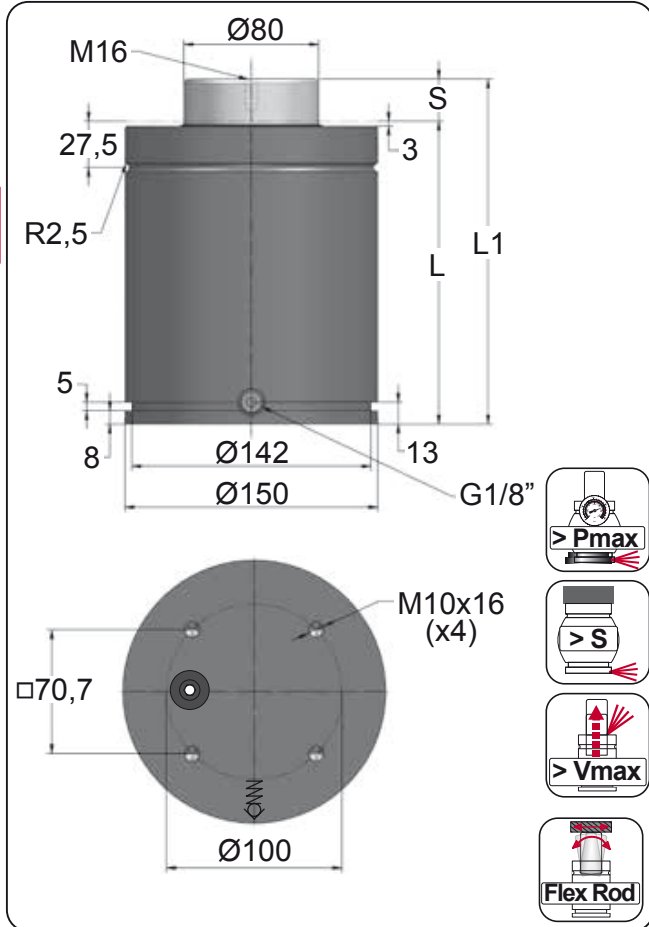


CODE	AG 5000 050	KIT S-XXXXXXX KIT C-XXXXXXX	D02-120	18 CG 1-Q
ENG ORDER	GAS SPRING	REPAIR KIT	FLANGE	CHARGING ADAPTER
DEU BESTELLUNG	GASDRUCKFEDER	ERSATZTEILSATZ	FLANSCH	LADEADAPTER
FRA COMMANDE	RESSORT À GAZ	KIT DE RÉPARATION	BRIDE	RACCORD DE CHARGE
ITA ORDINE	CILINDRO AD AZOTO	KIT DI MANUTENZIONE	FLANGE	ADATTATORE DI CARICO
ESP PEDIDO	RESORTE DE GAS	KIT DE REPARACION	BRIDA	ADAPTADOR DE CARGA
POR PEDIDO	CILINDRO DE GÁS	KIT DE MANUTENÇÃO	FLANGE	ADAPTADOR DE CARGA

AG 7500

ISO

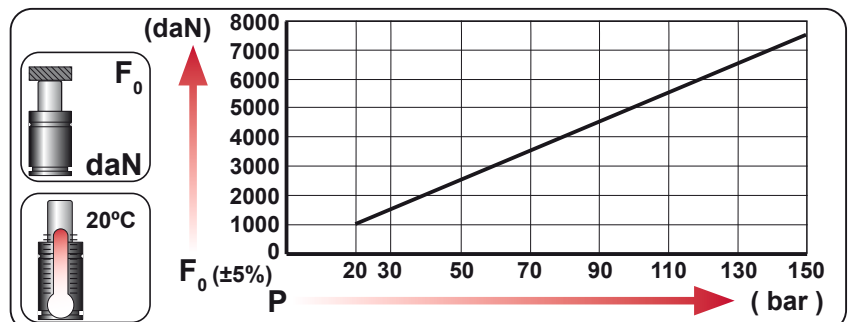
BMW B2 4006	FORD W-DX35-6203	PSA E24.54.815.G
MB B8 3180 220 000 001	GM 90.25.00	RENAULT EM24.54.700
VW 39D 878		



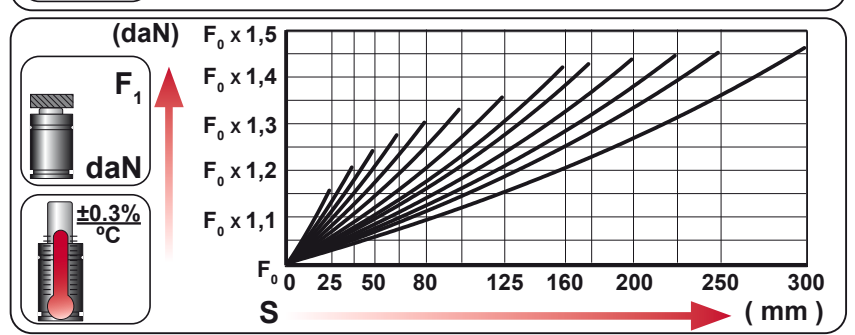
ORDER	S (mm)	L1 ±0.25 (mm)	L (mm)	Kg.
AG 7500 025	25	205	180	16.89
AG 7500 038	38	231	193	17.71
AG 7500 050	50	255	205	18.47
AG 7500 063	63.5	282	218.5	19.33
AG 7500 080	80	315	235	20.37
AG 7500 100	100	355	255	21.63
AG 7500 125	125	405	280	23.21
AG 7500 160	160	475	315	25.42
AG 7500 175	175	505	330	26.37
AG 7500 200	200	555	355	27.95
AG 7500 225	225	605	380	29.53
AG 7500 250	250	655	405	31.11
AG 7500 300	300	755	455	34.27



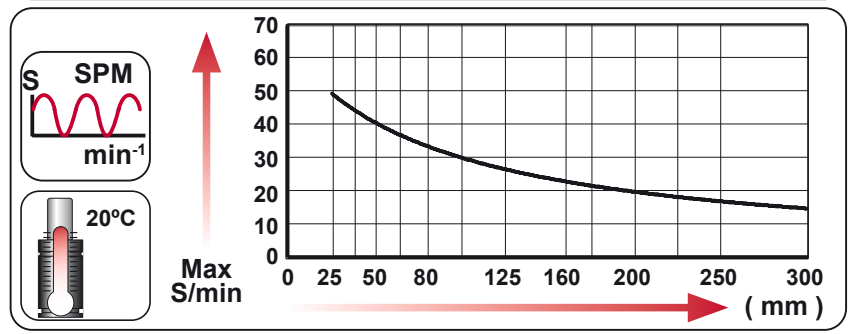
CODE	Pressure Gauge	bar	psi	F ₀ daN	F ₁ daN
AG 7500 050		150	2175	7540	9370
AG-H 7500 050		0	0	---	---



EQUIPPED WITH VDI - SAFETY



Language	Order Code	F ₀ daN	S mm
ENG	ORDER	7500	50
DEU	BESTELLUNG		
FRA	COMMANDE		
ITA	ORDINE		
ESP	PEDIDO		
POR	PEDIDO		



	S _{max} < 100%	V _{max}	P _{min} (20°C)	P _{max} (20°C)	T _{min}	T _{max}	
--	-------------------------	------------------	-------------------------	-------------------------	------------------	------------------	--

N ₂	S _{max} < 90%	V _{max} 2 m/s	bar psi	bar psi	°C °F	°C °F	600 CP-
			20 290	150 2175	0 32	80 176	



AG 7500 MOUNTS

ISO

s mm Ø mm L1 mm		50 Ø150 L1=178 L1=178 L1=178			50 Ø150 L1=205 L1=236 L1=255	50 Ø150 L1=255		50 Ø150 L1=270
MODEL	×	CW 9500 CW 11800 KT 9500	×	×	GN 7500 CM 10000 CD 9600	AG 7500	×	CS 18300
SERIES	MINI 	COMPACT HEIGHT 	THREADED 	LOW PROFILE 	HEAVY DUTY 	ISO 	HEAVY LOAD 	POWER COMPACT STROKE

A14-150

ISO NAABE CE GORE E24.54.815.G EM24.54.700/F

4 x Ø17,5
 □138
 Ø220
 41 27

A34-150

ISO VDI

4 x Ø17,5
 □162 □138
 41 27

--	--	--	--	--	--

CODE	AG 7500 050	KIT S-XXXXXXX KIT C-XXXXXXX	A14-150	18 CG 1-Q
ENG ORDER	GAS SPRING	REPAIR KIT	FLANGE	CHARGING ADAPTER
DEU BESTELLUNG	GASDRUCKFEDER	ERSATZTEILSATZ	FLANSCH	LADEADAPTER
FRA COMMANDE	RESSORT À GAZ	KIT DE RÉPARATION	BRIDE	RACCORD DE CHARGE
ITA ORDINE	CILINDRO AD AZOTO	KIT DI MANUTENZIONE	FLANGE	ADATTATORE DI CARICO
ESP PEDIDO	RESORTE DE GAS	KIT DE REPARACION	BRIDA	ADAPTADOR DE CARGA
POR PEDIDO	CILINDRO DE GÁS	KIT DE MANUTENÇÃO	FLANGE	ADAPTADOR DE CARGA

AG 7500 MOUNTS

150

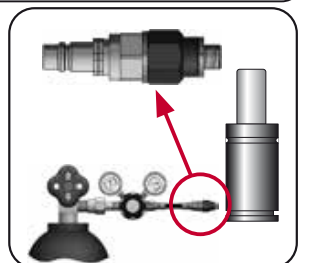
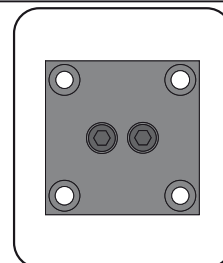
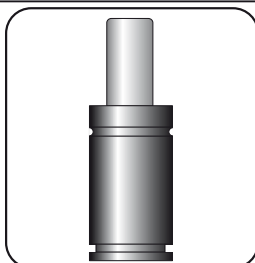


B21-150

B76-150

C05-150

C20-150

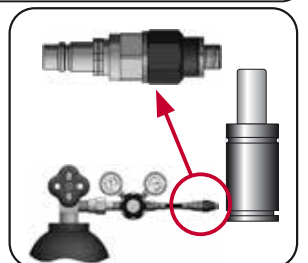
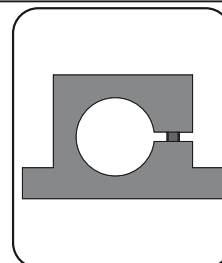
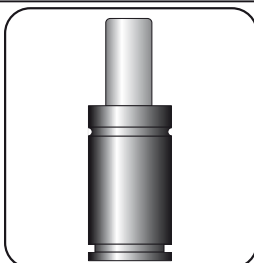
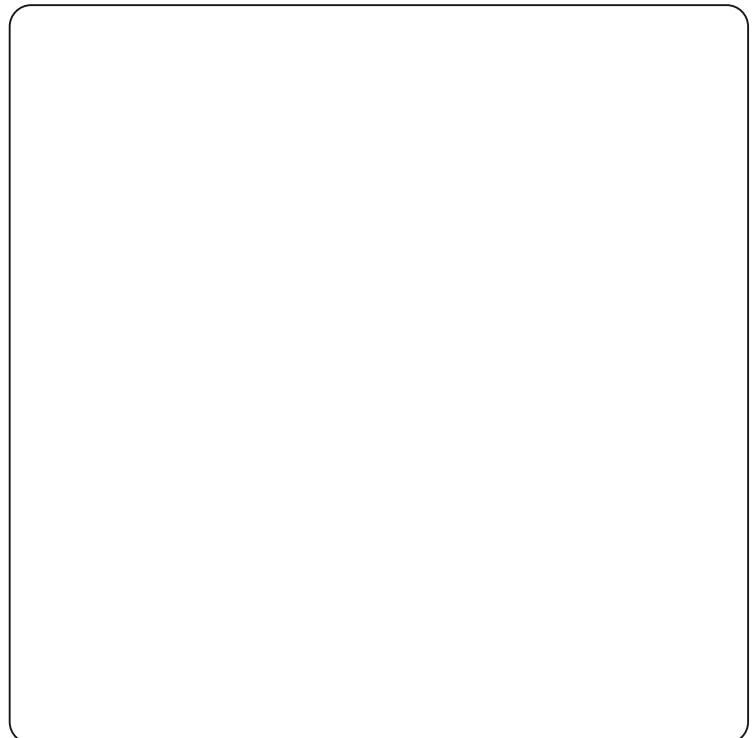
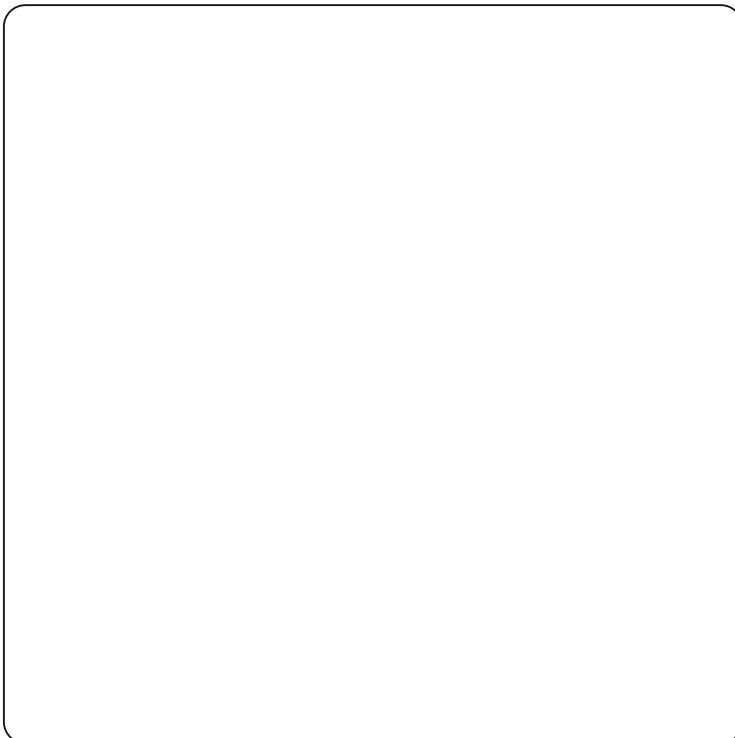
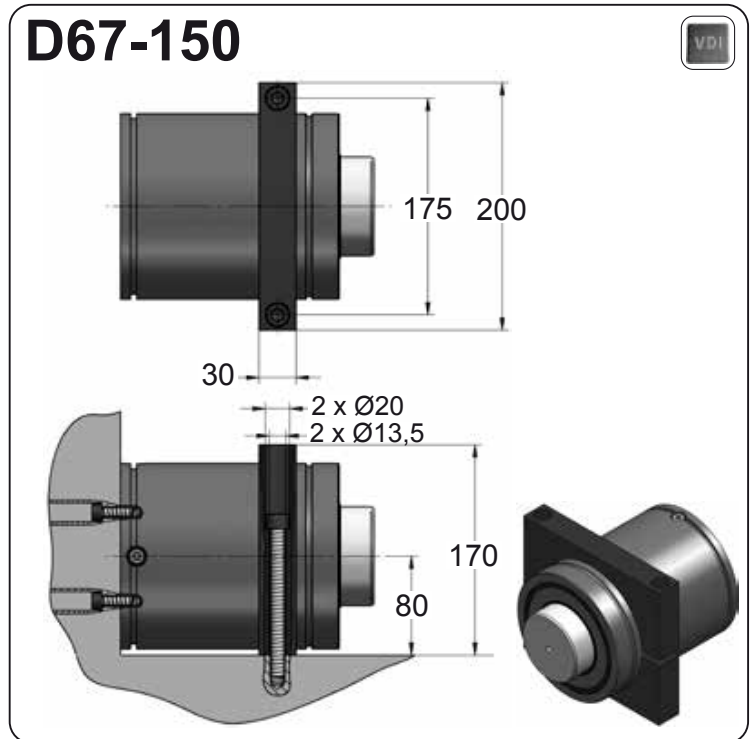


CODE	AG 7500 050	KIT S-XXXXXXX KIT C-XXXXXXX	B21-150	18 CG 1-Q
ENG	ORDER	GAS SPRING	REPAIR KIT	CHARGING ADAPTER
DEU	BESTELLUNG	GASDRUCKFEDER	ERSATZTEILSATZ	LADEADAPTER
FRA	COMMANDE	RESSORT À GAZ	KIT DE RÉPARATION	RACCORD DE CHARGE
ITA	ORDINE	CILINDRO AD AZOTO	KIT DI MANUTENZIONE	ADATTATORE DI CARICO
ESP	PEDIDO	RESORTE DE GAS	KIT DE REPARACION	ADAPTADOR DE CARGA
POR	PEDIDO	CILINDRO DE GÁS	KIT DE MANUTENÇÃO	ADAPTADOR DE CARGA



AG 7500 MOUNTS

ISO

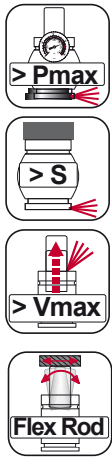
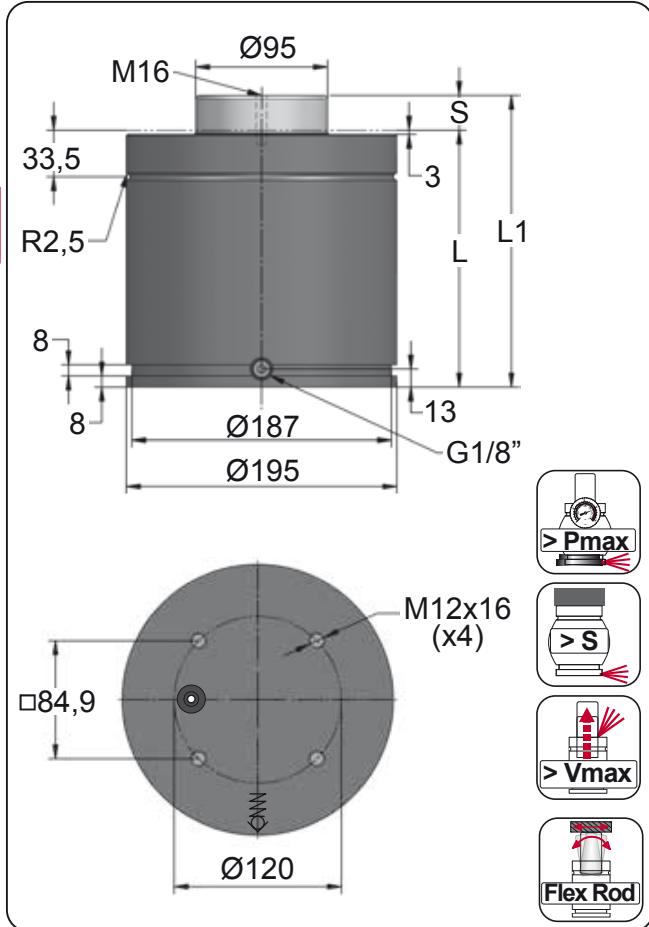


CODE	AG 7500 050	KIT S-XXXXXXX KIT C-XXXXXXX	D02-150	18 CG 1-Q
ENG ORDER	GAS SPRING	REPAIR KIT	FLANGE	CHARGING ADAPTER
DEU BESTELLUNG	GASDRUCKFEDER	ERSATZTEILSATZ	FLANSCHEN	LADEADAPTER
FRA COMMANDE	RESSORT À GAZ	KIT DE RÉPARATION	BRIDE	RACCORD DE CHARGE
ITA ORDINE	CILINDRO AD AZOTO	KIT DI MANUTENZIONE	FLANGE	ADATTATORE DI CARICO
ESP PEDIDO	RESORTE DE GAS	KIT DE REPARACION	BRIDA	ADAPTADOR DE CARGA
POR PEDIDO	CILINDRO DE GÁS	KIT DE MANUTENÇÃO	FLANGE	ADAPTADOR DE CARGA

AG 10000

ISO

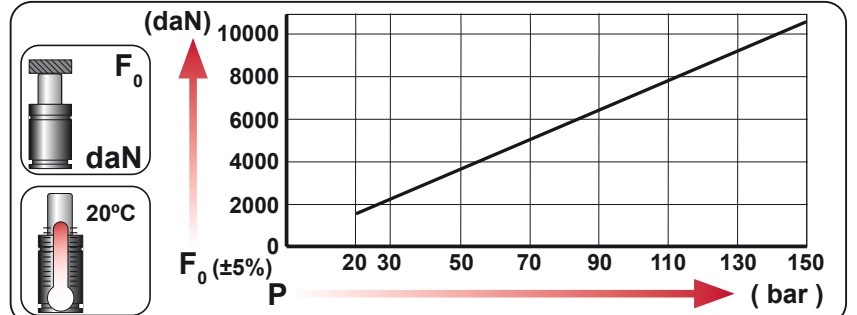
	GM	90.25.00	RENAULT	EM24.54.700
VW	39D	878		



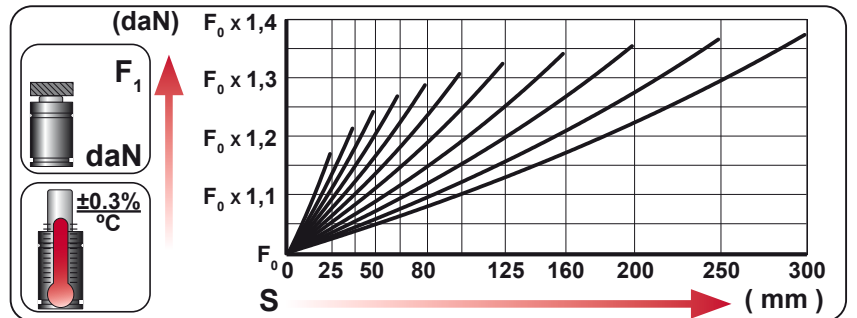
ORDER	S (mm)	L1 ±0.25 (mm)	L (mm)	Kg.
AG 10000 025	25	210	185	31.71
AG 10000 038	38	236	198	33.04
AG 10000 050	50	260	210	34.26
AG 10000 063	63.5	287	223.5	35.64
AG 10000 080	80	320	240	37.32
AG 10000 100	100	360	260	39.36
AG 10000 125	125	410	285	41.91
AG 10000 160	160	480	320	45.48
AG 10000 200	200	560	360	49.57
AG 10000 250	250	660	410	54.67
AG 10000 300	300	760	460	59.77



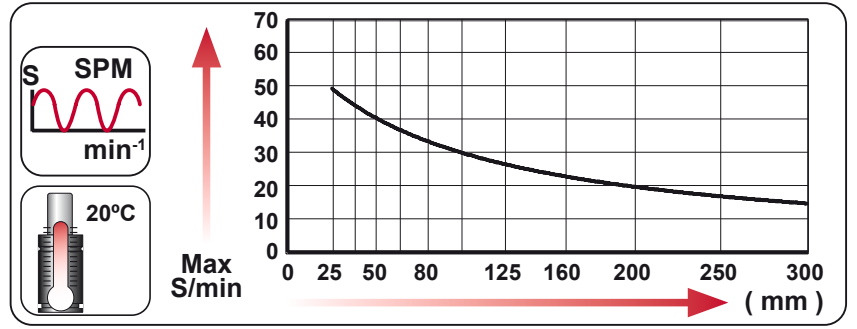
CODE	Pressure Gauge	bar	psi	F ₀ daN	F ₁ daN
AG 10000 050		145	2105	10280	12780
AG-H 10000 050		0	0	---	---



EQUIPPED WITH VDI - SAFETY



Language	Order Code	F ₀ daN	S mm
ENG	ORDER	10000	50
DEU	BESTELLUNG		
FRA	COMMANDE		
ITA	ORDINE		
ESP	PEDIDO		
POR	PEDIDO		



--	--	--	--	--	--

N ₂	Smax < 90%	Vmax 2 m/s	bar psi	bar psi	°C °F	°C °F	600 CP-
			20 290	150 2175	0 32	80 176	



AG 10000 MOUNTS

ISO

MODEL	×	CW 20000	×	×	CD 18500	AG 10000	×	×
SERIES	MINI	COMPACT HEIGHT	THREADED	LOW PROFILE	HEAVY DUTY	ISO	HEAVY LOAD	POWER COMPACT STROKE

A14-195

ISO EM24.54.700/F

A34-195

ISO

AG 750
21502524
97/23CE art.3
XXXXXX □
215025247
97/23CE art.3
XXXXXX □
Made in Spain (EU)
150 bar / 2175 psi
www.azolgas.com

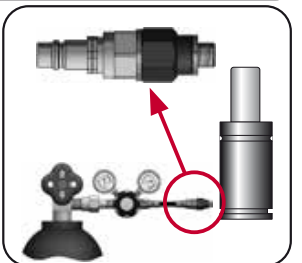
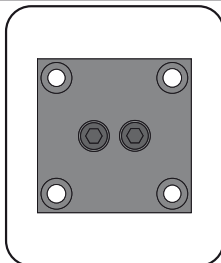
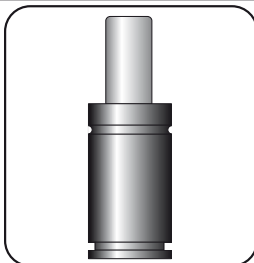
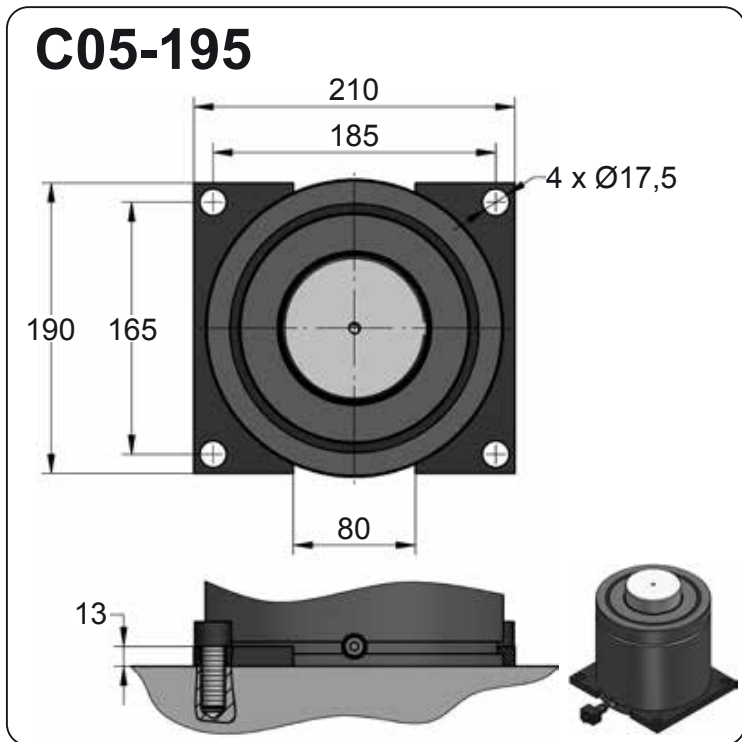
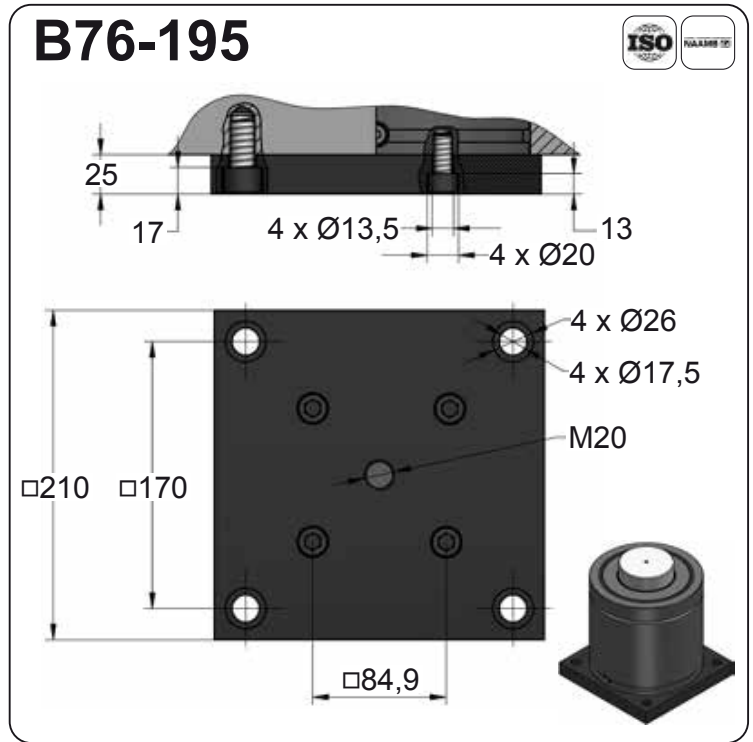
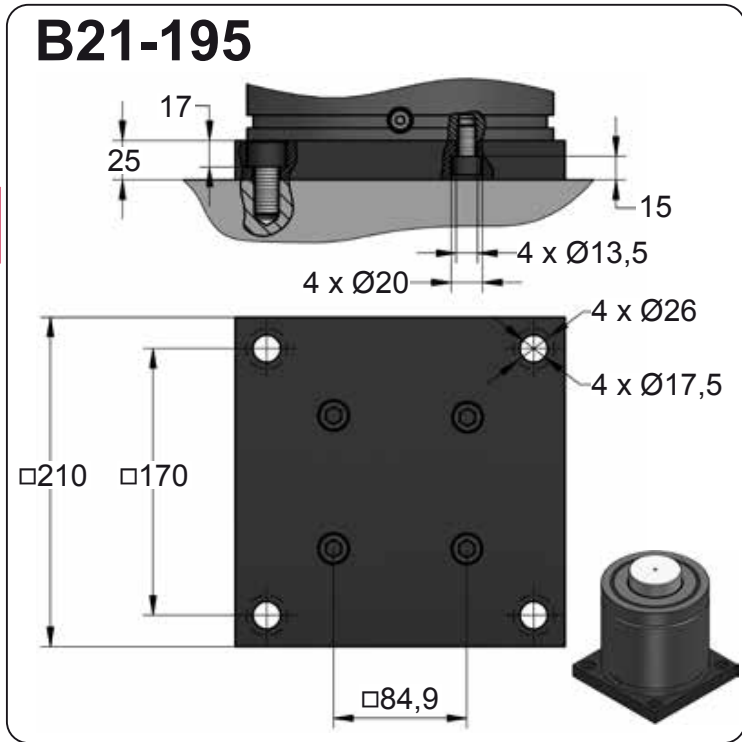
SEAL
KIT S-XXXXXXX

CARTRIDGE
KIT C-XXXXXXX

CODE	AG 10000 050	KIT S-XXXXXXX KIT C-XXXXXXX	A14-195	18 CG 1-Q
ENG	ORDER	GAS SPRING	REPAIR KIT	FLANGE
DEU	BESTELLUNG	GASDRUCKFEDER	ERSATZTEILSATZ	FLANSCH
FRA	COMMANDE	RESSORT À GAZ	KIT DE RÉPARATION	BRIDE
ITA	ORDINE	CILINDRO AD AZOTO	KIT DI MANUTENZIONE	FLANGE
ESP	PEDIDO	RESORTE DE GAS	KIT DE REPARACION	BRIDA
POR	PEDIDO	CILINDRO DE GÁS	KIT DE MANUTENÇÃO	FLANGE
				CHARGING ADAPTER
				LADEADAPTER
				RACCORD DE CHARGE
				ADATTATORE DI CARICO
				ADAPTADOR DE CARGA
				ADAPTADOR DE CARGA

AG 10000 MOUNTS

150



CODE	AG 10000 050	KIT S-XXXXXXX KIT C-XXXXXXX	B21-195	18 CG 1-Q
ENG	ORDER	GAS SPRING	REPAIR KIT	CHARGING ADAPTER
DEU	BESTELLUNG	GASDRUCKFEDER	ERSATZTEILSATZ	LADEADAPTER
FRA	COMMANDE	RESSORT À GAZ	KIT DE RÉPARATION	RACCORD DE CHARGE
ITA	ORDINE	CILINDRO AD AZOTO	KIT DI MANUTENZIONE	ADATTATORE DI CARICO
ESP	PEDIDO	RESORTE DE GAS	KIT DE REPARACION	ADAPTADOR DE CARGA
POR	PEDIDO	CILINDRO DE GÁS	KIT DE MANUTENÇÃO	ADAPTADOR DE CARGA

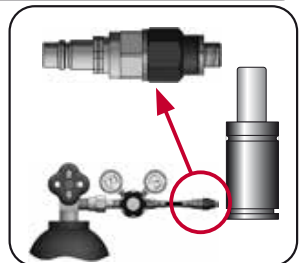
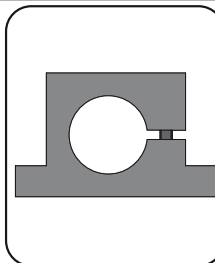
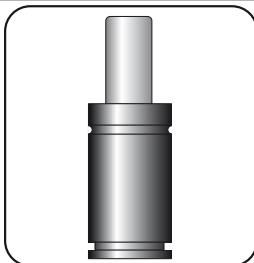
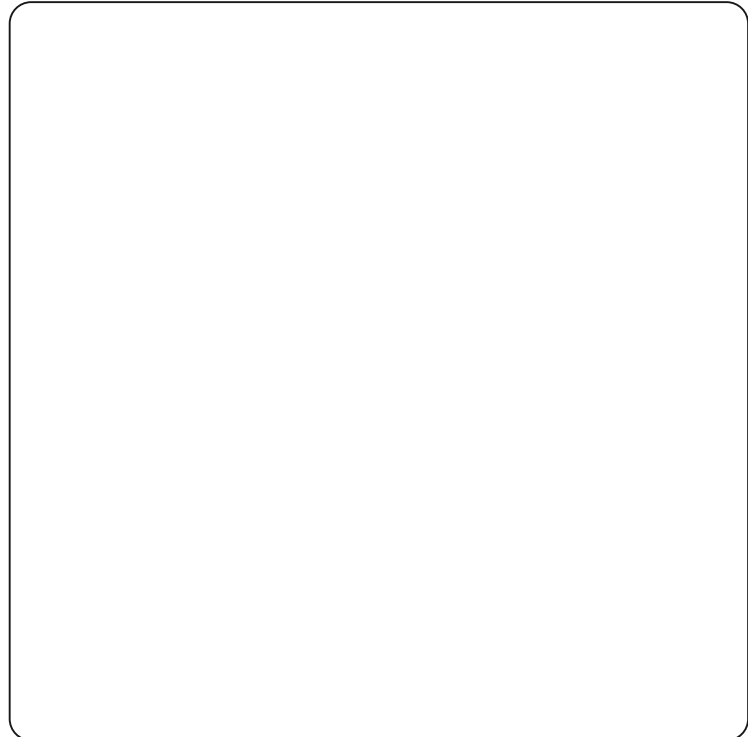
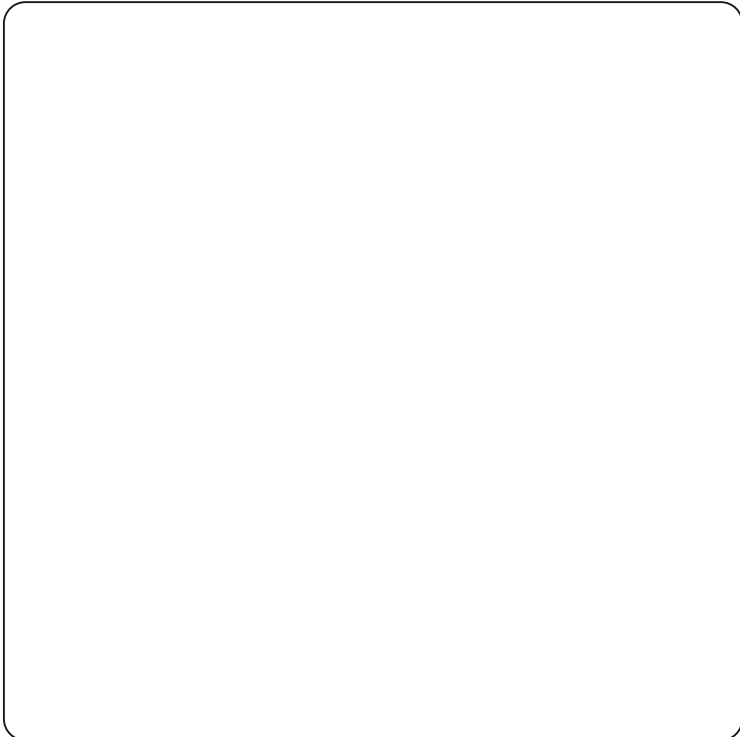
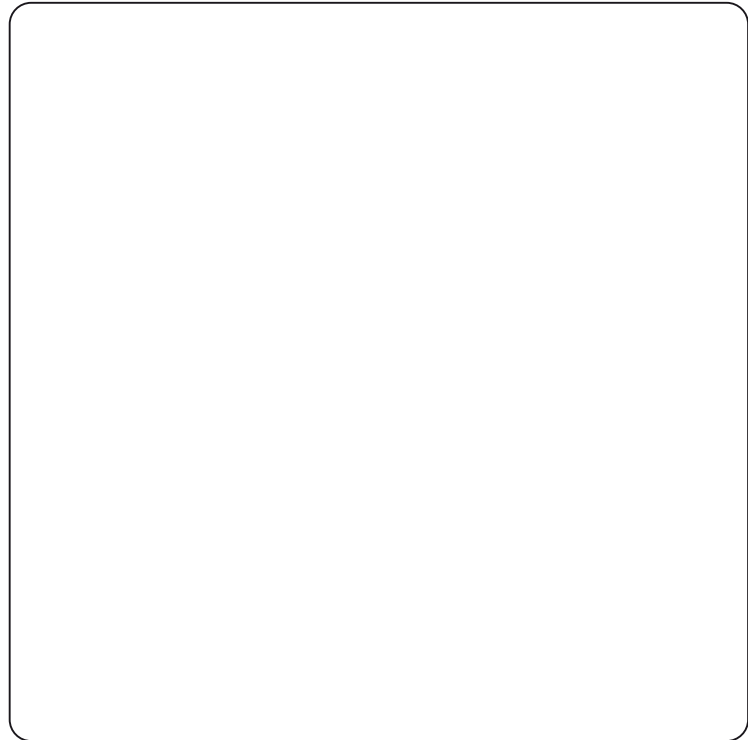
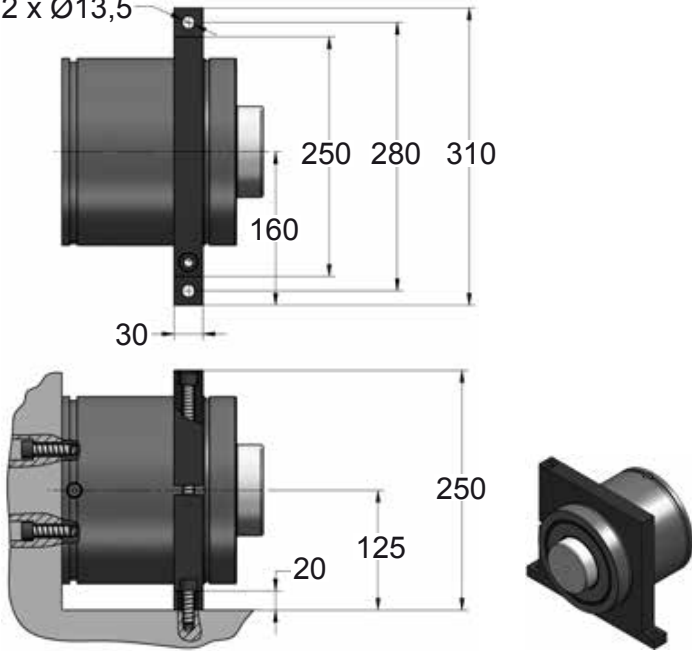


AG 10000 MOUNTS

150

D02-195

2 x Ø13,5



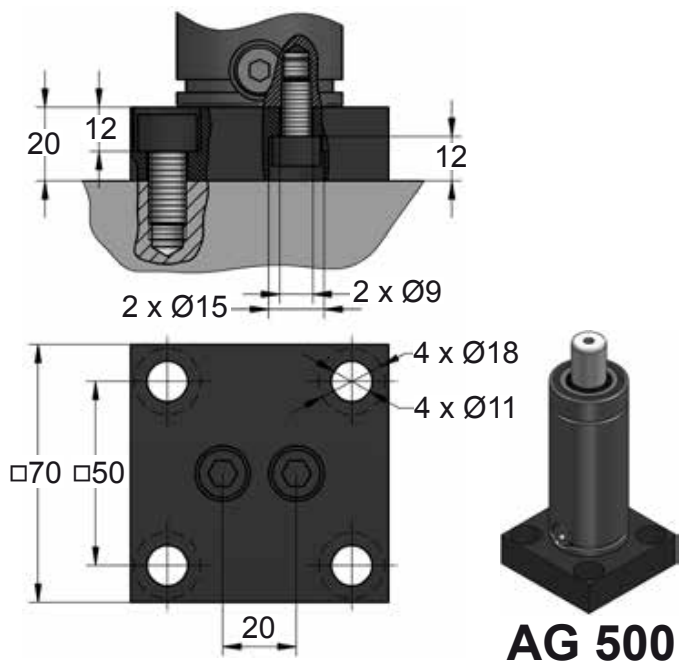
CODE	AG 10000 050	KIT S-XXXXXXX KIT C-XXXXXXX	D02-195	18 CG 1-Q
ENG	ORDER	GAS SPRING	REPAIR KIT	CHARGING ADAPTER
DEU	BESTELLUNG	GASDRUCKFEDER	ERSATZTEILSATZ	LADEADAPTER
FRA	COMMANDE	RESSORT À GAZ	KIT DE RÉPARATION	RACCORD DE CHARGE
ITA	ORDINE	CILINDRO AD AZOTO	KIT DI MANUTENZIONE	ADATTATORE DI CARICO
ESP	PEDIDO	RESORTE DE GAS	KIT DE REPARACION	ADAPTADOR DE CARGA
POR	PEDIDO	CILINDRO DE GÁS	KIT DE MANUTENÇÃO	ADAPTADOR DE CARGA

MOUNTS

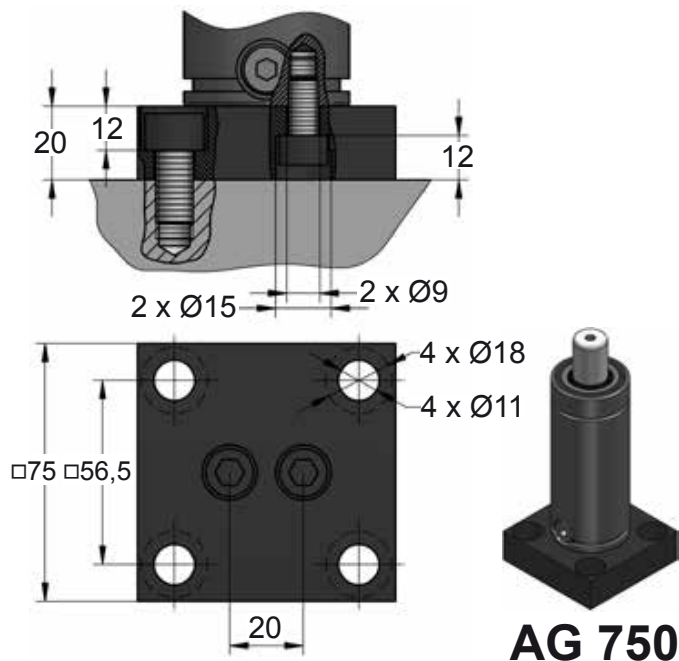
ISO



B51-045



B51-050



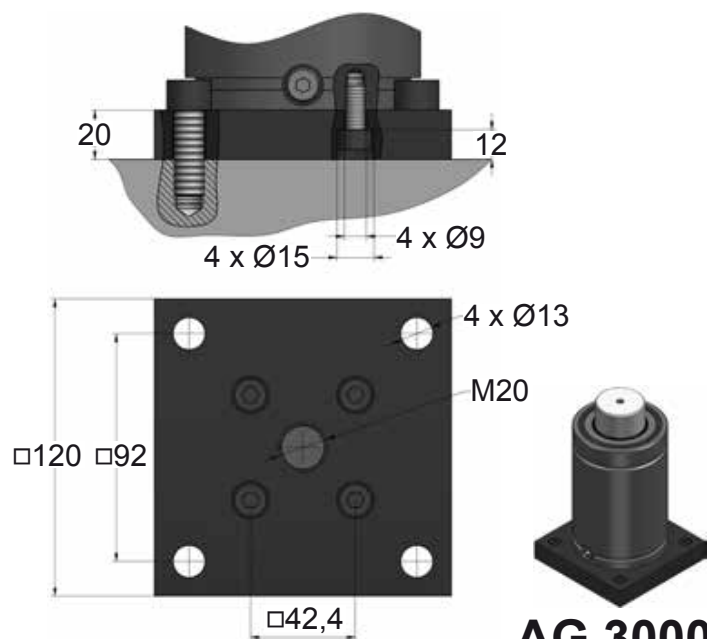


MOUNTS

150

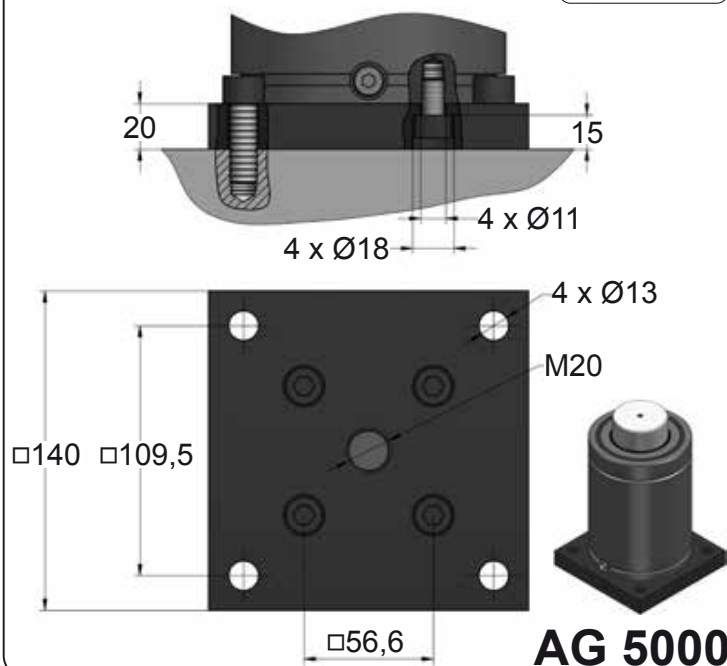
B16-095

E24.54.815.G



B16-120

E24.54.815.G



B16-150

E24.54.815.G

